



Service Bulletin

File in Section: -

Bulletin No.: PIT5209A

Date: June, 2014

PRELIMINARY INFORMATION

Subject: Unwanted Alarm Sounding (GM Accessory Inclination Sensor Mounting)

Models: 2007-2014 Cadillac Escalade Models
2007-2013 Chevrolet Avalanche, Silverado, Suburban, Tahoe
2014 Chevrolet Silverado 2500/3500, Suburban, Tahoe
2007-2013 GMC Sierra, Yukon Models
2014 GMC Sierra 2500/3500, Yukon Models

This PI was superseded to update Model Years. Please discard PIT5209.

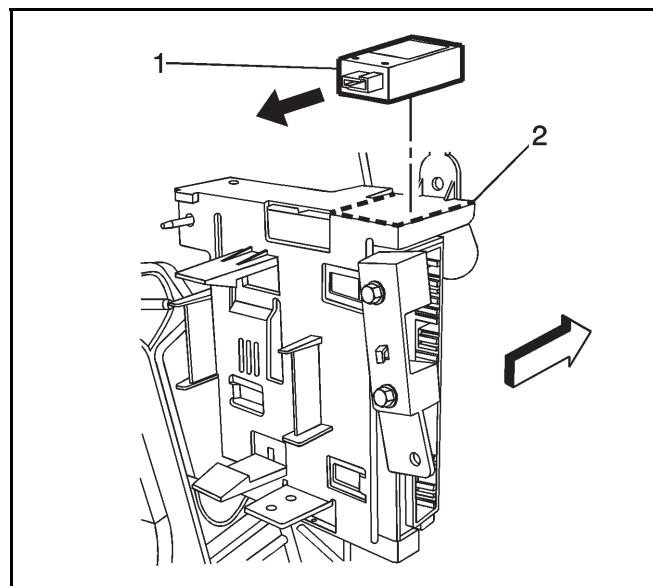
The following diagnosis might be helpful if the vehicle exhibits the symptom(s) described in this PI.

Condition/Concern

Some owners may comment that for no reason the alarm will go active. This would normally occur after the vehicle has been sitting awhile following a drive cycle. The sensor was originally positioned on the driver's side lower HVAC duct. With thermal cycling the duct could expand and contract enough that, depending on exact sensor location, movement of the duct might cause the sensor to trip and activate the alarm.

Recommendation/Instructions

To verify the alarm was activated by the inclination sensor, use the Tech 2 and build as follows: Body > Body Control Module > Data Display > Theft Data. View the three parameters for "CTD Trigger History" to see what triggered the alarm. If the trigger is the inclination sensor, inspect the sensor's mounting location. If it is attached to the driver's side lower HVAC duct, it will need to be relocated. The location of the sensor placement has been updated to the top of the BCM bracket. See picture below. Relocate the sensor to the top of the BCM bracket as shown in the attached:



Warranty Information

For vehicles repaired under warranty, use:

Labor Operation	Description	Labor Time
*C9545	Relocate Inclination Sensor	0.5
* This is a unique labor operation for bulletin use only. It will not be published in the Labor Time Guide.		

Please follow this diagnostic or repair process thoroughly and complete each step. If the condition exhibited is resolved without completing every step, the remaining steps do not need to be performed.