

Subject Head/Valve Cover Gasket Oil Leaks		Market USA
Service Category Engine/Hybrid System	Section Lubrication	
Applicability 2020-2022 NAP A25A-FKS/FXS Models		

APPLICABLE VEHICLES

2020-2022	Avalon HV	2020-2022	Highlander HV
2020-2022	RAV4	2020-2022	Camry
2020-2022	Camry HV	2021-2022	Sienna HV

CONDITION

Some 2020-2022 vehicles equipped with North American Produced (NAP) A25A-FKS/FXS engines may experience an oil leak from the head/valve cover gasket. This issue is currently under investigation.

RECOMMENDATIONS

If a vehicle is experiencing an oil leak anywhere around the head/valve cover gasket, please do the following:

1. Take clear pictures of the origin of the leak.
2. Please create a TAS case and contact TAS for instruction prior to diagnosing or repairing of the vehicle. If it is a weekend or holiday, continue with diagnosis and repair. Please save all parts and/or details and contact TAS on the next available workday.

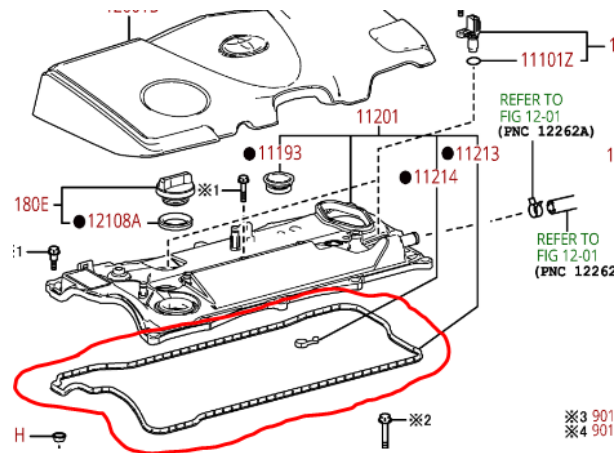


Figure 1. Head/valve cover gasket location.

Subject

Head/Valve Cover Gasket Oil Leaks

Market

USA

Applicability

RECOMMENDATIONS



Figure 2. Images of head/valve cover gasket leaks.

LINK REFERENCES

This Tech Tip does not contain any link references