

JLRTB02079NAS2
TECHNICAL BULLETIN
18 MAR 2024



© Jaguar Land Rover North America, LLC

NOTE: The information in Technical Bulletins is intended for use by trained, professional Technicians with the knowledge, tools, and equipment required to do the job properly and safely. It informs these Technicians of conditions that may occur on some vehicles, or provides information that could assist in proper vehicle service. The procedures should not be performed by 'do-it-yourselfers'. If you are not a Retailer, do not assume that a condition described affects your vehicle. Contact an authorized Land Rover service facility to determine whether this bulletin applies to a specific vehicle.

SECTION:

501-17

SUBJECT/CONCERN:

Creaking Noise From Glass Roof Panel

MARKETS:

NORTH AMERICA

CONDITION SUMMARY:

SITUATION:

A creaking noise can be heard coming from the glass roof panel of the vehicle when driving at low speeds and/or over rough ground.

This technical bulletin has been updated due to changes to the AFFECTED VEHICLE RANGE and SERVICE INSTRUCTION.

CAUSE:

Interaction between the glass roof panel flip seal and vehicle body.

ACTION:

Follow the instructions below.

PARTS:

NOTE:

An allowance equivalent to £25.00 Sterling for each repair has been allocated to locally source Carbaflo KSP 105 lubricant and a suitable spreader tool (or equivalent).

PART NUMBER	DESCRIPTION	QUANTITY
ZZZ001	Carbaflo KSP 105 lubricant	As required

WARRANTY:

NOTE:

* When submitting your Warranty claim within the Warranty portal, use the Condition Code list shown to select the Condition Code which best describes the vehicle defect.

NOTES:

- Repair procedures are under constant review, and therefore times are subject to change; those quoted here must be taken as guidance only. Use TOPIx to obtain the latest repair time.
- The JLR claims submission system requires the use of causal part numbers. Labor only claims must show the causal part number with a quantity of zero.

DESCRIPTION	SRO	TIME (HOURS)	CONDITION CODE	CAUSAL PART
JLRTB - Clean and lubricate seal	99.01.51	0.1	*	LR145003

NOTE:

Normal Warranty procedures apply.

SERVICE INSTRUCTION:

All vehicles

1. Apply a suitable solvent cleaner to a clean cloth.

2.

NOTE:

The illustration shows an example a suitable spreader tool to be used during this technical bulletin.

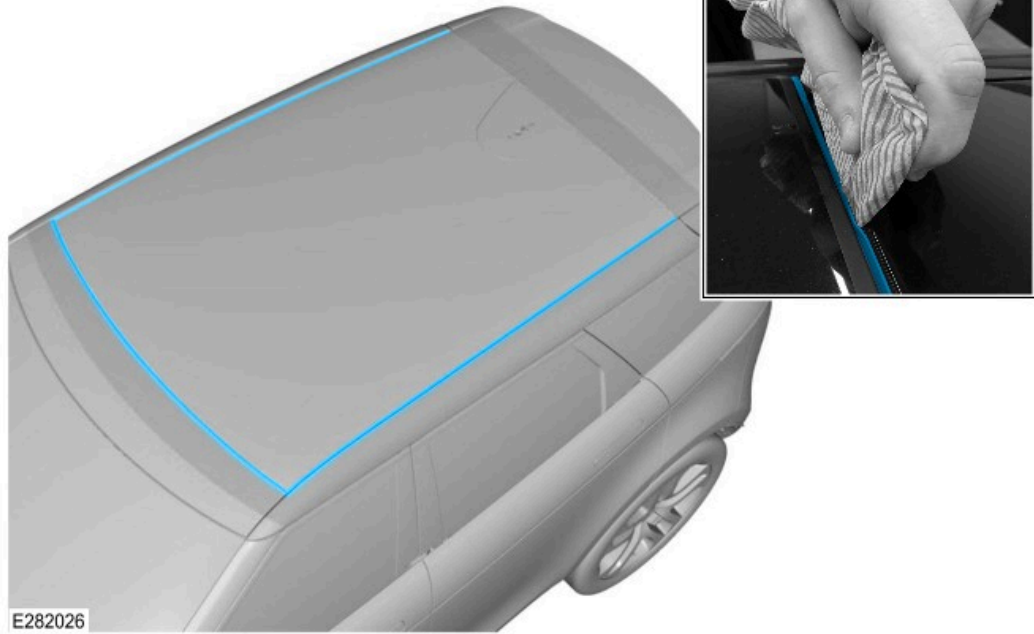


E282028

Wrap the cloth around a suitable spreader tool that can be inserted between the glass roof panel flip seal and the vehicle body.

Range Rover Evoque vehicles only

3.



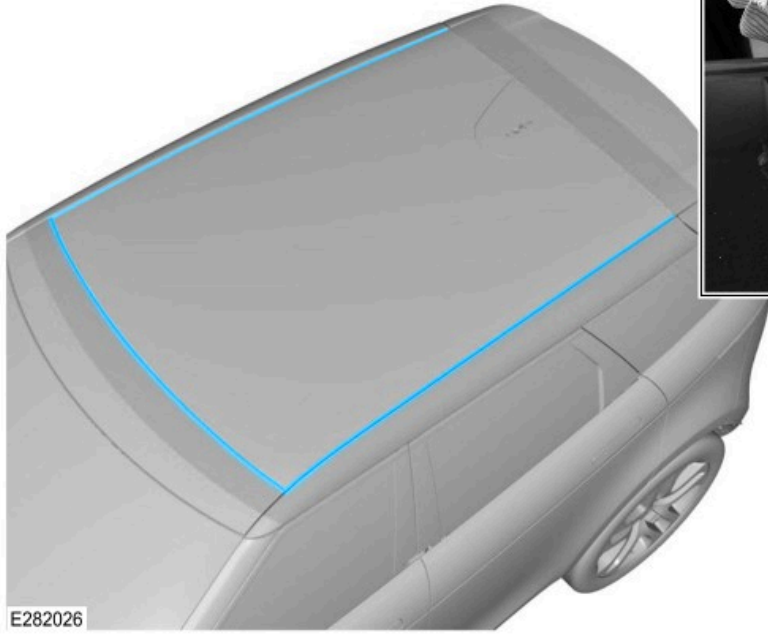
Insert the tool and cloth between the glass roof panel flip seal and the vehicle body.

- Clean the seals shown highlighted in the illustration. Make sure the seals are dry and free from contamination.
 - Reapply the suitable solvent cleaner as required.

4. Apply Carbaflo KSP 105 lubricant to a new clean cloth.

5. Wrap the cloth around a suitable tool that can be inserted between the glass roof panel flip seal and the vehicle body.

6.

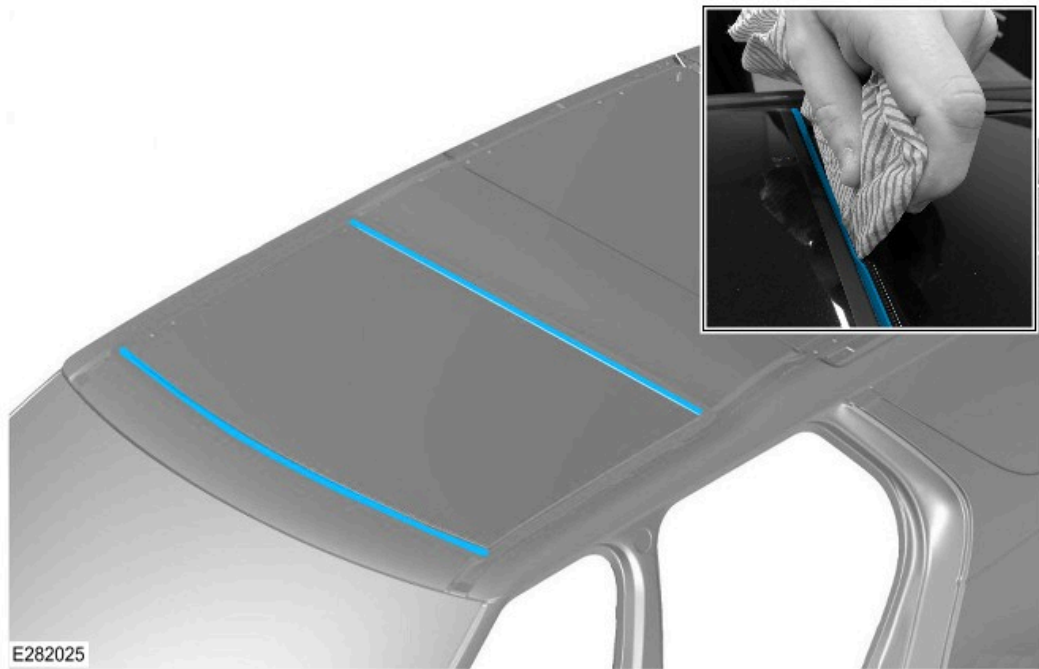


Insert the tool and cloth between the glass roof panel flip seal and the vehicle body.

- Lubricate the seals shown highlighted in the illustration.
 - Reapply the Carbaflo KSP 105 lubricant as required.

Discovery vehicles only

7.

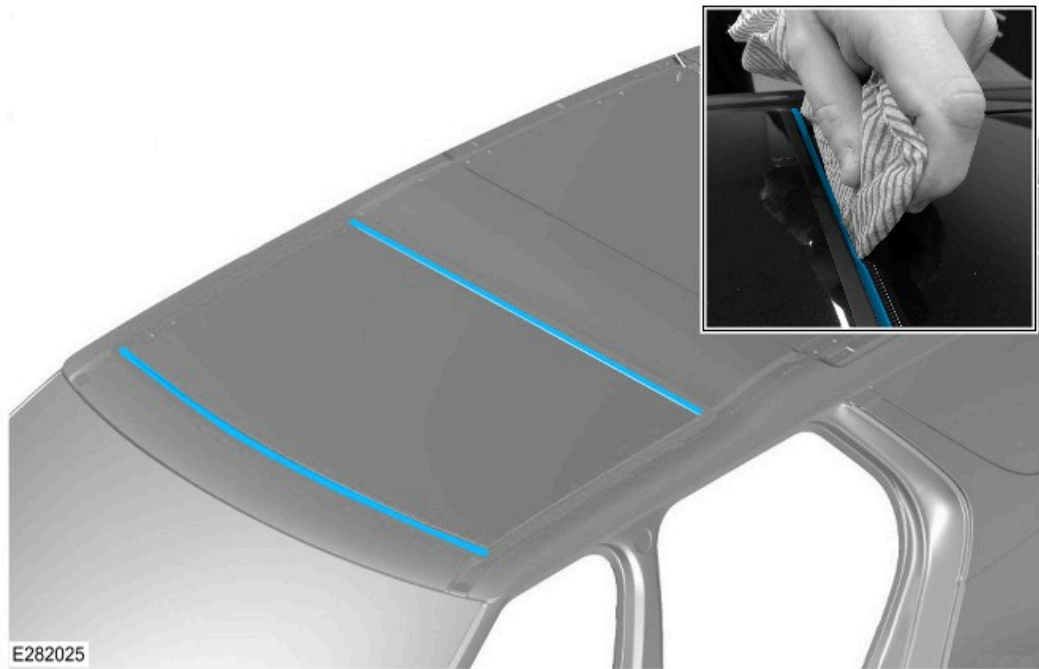


Insert the tool and cloth between the glass roof panel flip seal and the vehicle body.

- Clean the seals shown highlighted in the illustration. Make sure the seals are dry and free from contamination.
 - Reapply the suitable solvent cleaner as required.

8. Apply Carbaflo KSP 105 lubricant to a new clean cloth.

9. Wrap the cloth around a suitable tool that can be inserted between the glass roof panel flip seal and the vehicle body.

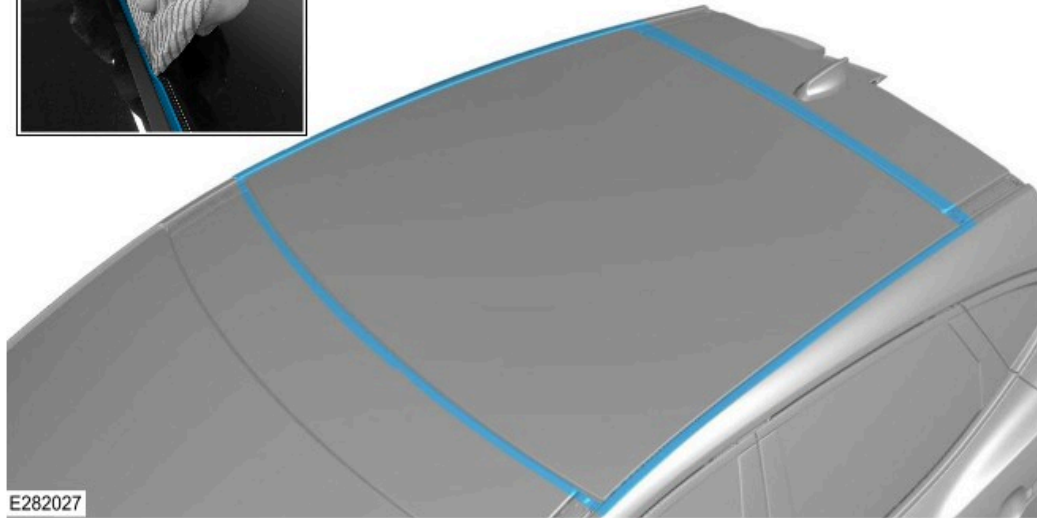


Insert the tool and cloth between the glass roof panel flip seal and the vehicle body.

- Lubricate the seals shown highlighted in the illustration.
 - Reapply the Carbaflo KSP 105 lubricant as required.

E-PACE vehicles only

11.



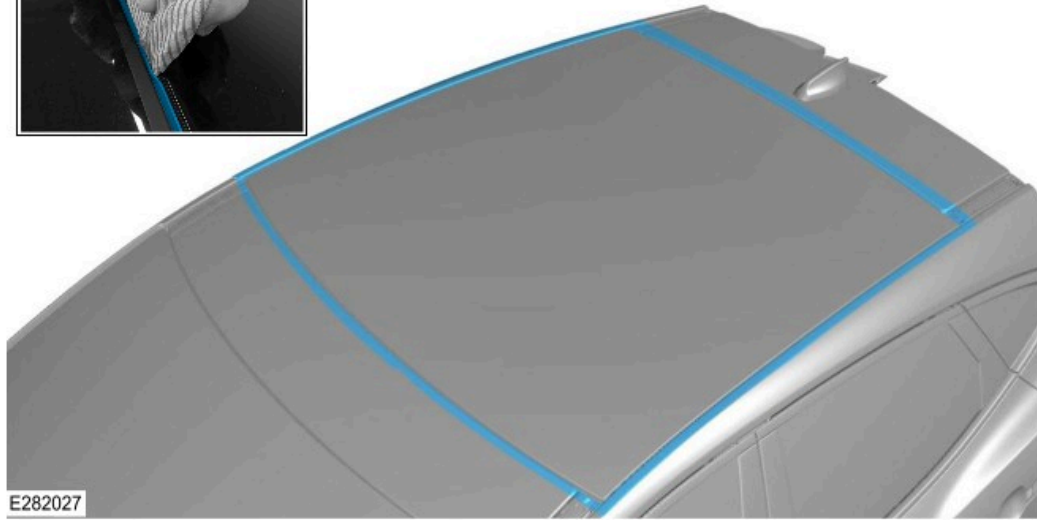
Insert the tool and cloth between the glass roof panel flip seal and the vehicle body.

- Clean the seals shown highlighted in the illustration. Make sure the seals are dry and free from contamination.
 - Reapply the suitable solvent cleaner as required.

12. Apply Carbaflo KSP 105 lubricant to a new clean cloth.

13. Wrap the cloth around a suitable tool that can be inserted between the glass roof panel flip seal and the vehicle body.

14.

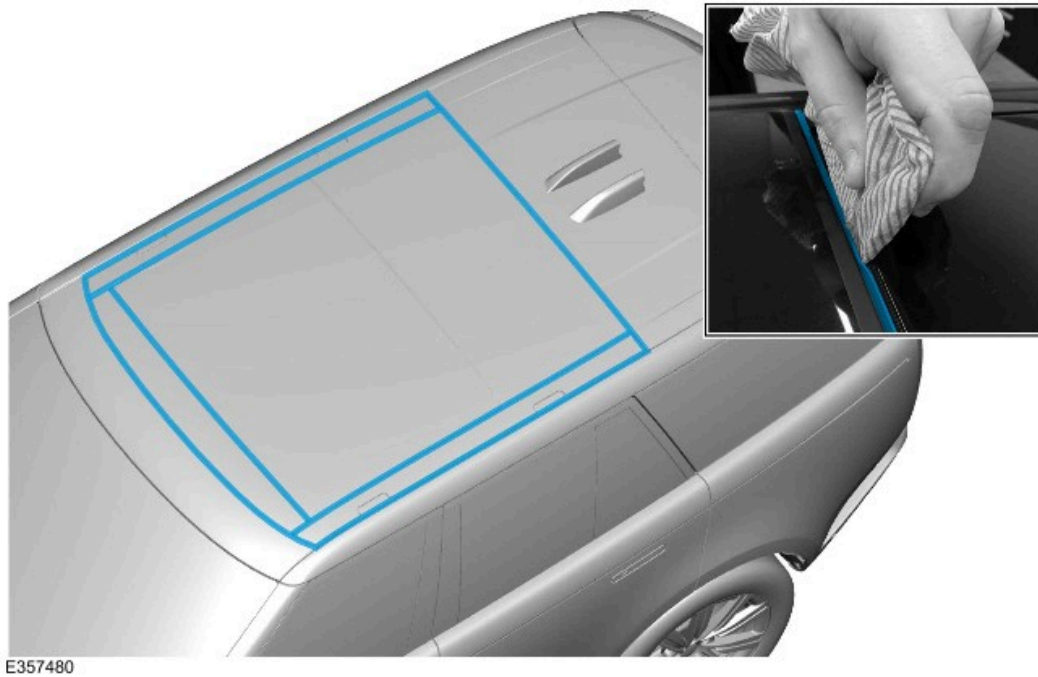


Insert the tool and cloth between the glass roof panel flip seal and the vehicle body.

- Lubricate the seals shown highlighted in the illustration.
 - Reapply the Carbaflo KSP 105 lubricant as required.

Range Rover vehicles only

15.

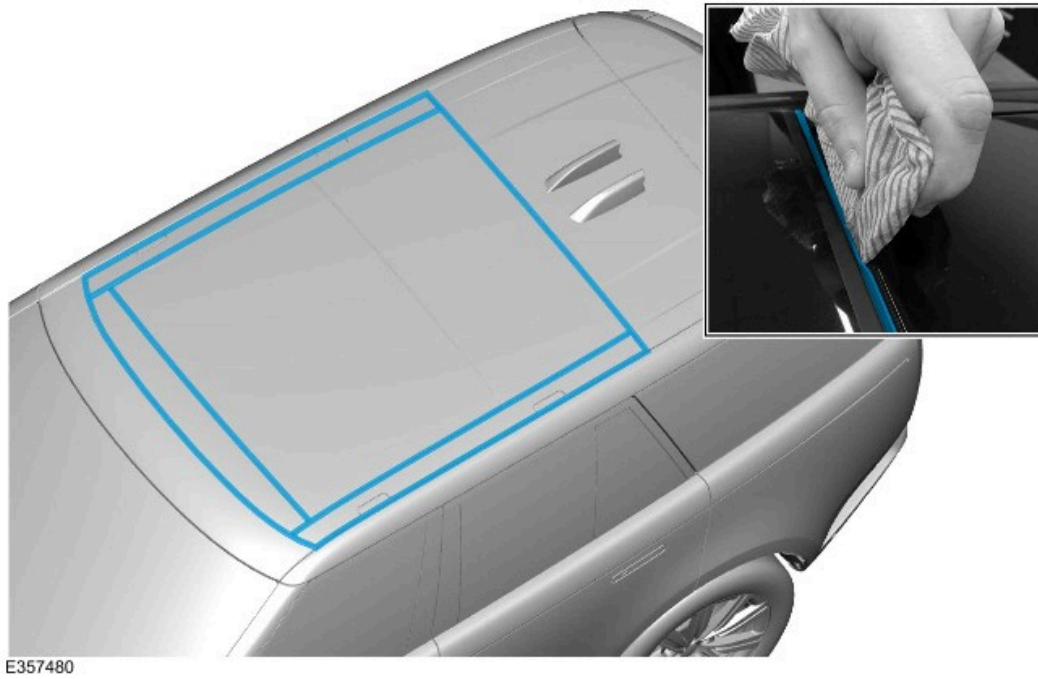


Insert the tool and cloth between the glass roof panel flip seal and the vehicle body.

- Clean the seals shown highlighted in the illustration. Make sure the seals are dry and free from contamination.
 - Reapply the suitable solvent cleaner as required.

16. Apply Carbaflo KSP 105 lubricant to a new clean cloth.

17. Wrap the cloth around a suitable tool that can be inserted between the glass roof panel flip seal and the vehicle body.

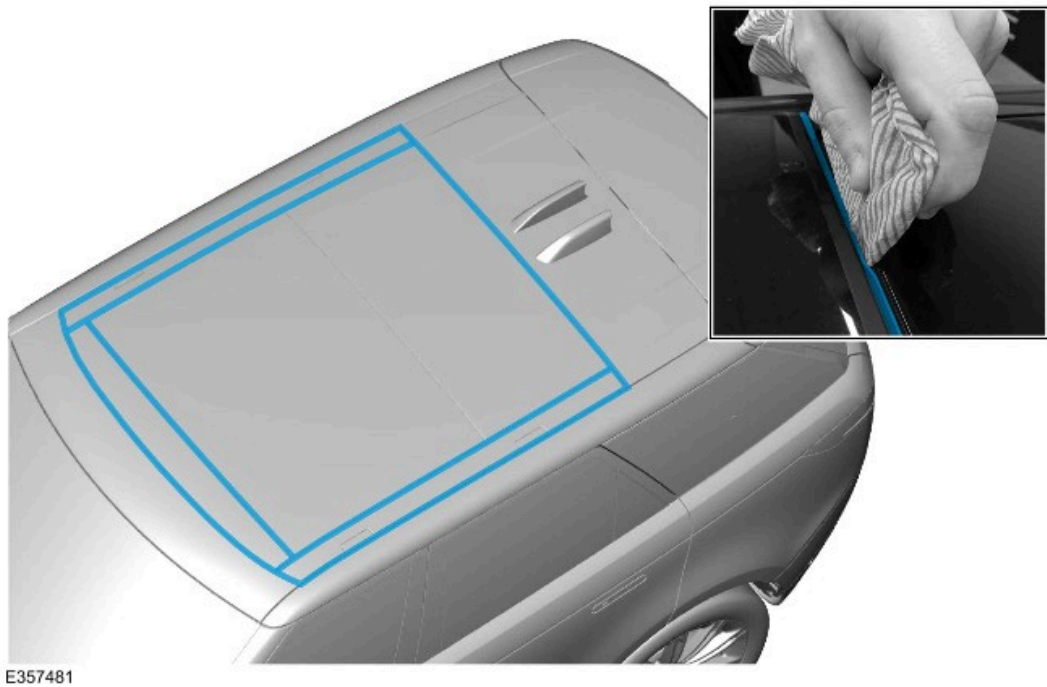


Insert the tool and cloth between the glass roof panel flip seal and the vehicle body.

- Lubricate the seals shown highlighted in the illustration.
 - Reapply the Carbaflo KSP 105 lubricant as required.

Range Rover Sport vehicles only

19.

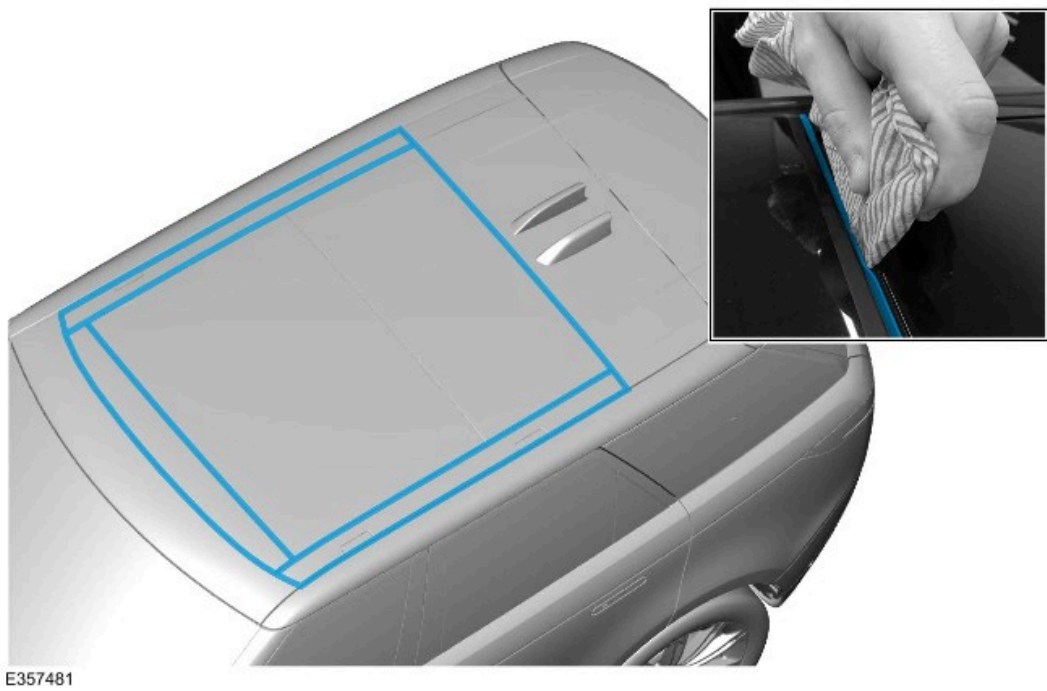


Insert the tool and cloth between the glass roof panel flip seal and the vehicle body.

- Clean the seals shown highlighted in the illustration. Make sure the seals are dry and free from contamination.
 - Reapply the suitable solvent cleaner as required.

20. Apply Carbaflo KSP 105 lubricant to a new clean cloth.

21. Wrap the cloth around a suitable tool that can be inserted between the glass roof panel flip seal and the vehicle body.



Insert the tool and cloth between the glass roof panel flip seal and the vehicle body.

- Lubricate the seals shown highlighted in the illustration.
 - Reapply the Carbaflo KSP 105 lubricant as required.