

Volvo Car USA LLC

Technical Journal

<small>Technical Journal Title</small> Noise Reducing Encapsulation Cover For XC60 Long Range PHEV ERAD		<small>Ref. No.</small> TJ 36841.1.1	
<small>Issuer (Dept.)</small> Technical Service		<small>Issue Date</small> 3/27/24	<small>Status Date</small> 4/16/24
<small>Car Market</small> United States and Canada	<small>Partner</small> 3 US 7510 Volvo Car USA	<small>Function Group</small> 4632	
<small>Function Description</small> Electrical rear axis drive		<small>Page</small> Page 1 of 6	

Attachment

File Name	File Size
TJI-528081-2_1_1_en-us.pdf	0.9625 MB

Rows beginning with * are modified

Note! If using a printed copy of this Technical Journal, first check for the latest online version.

DESCRIPTION:

If a customer comments about sound generated from the ERAD, please follow the advice under "Service".

ERAD = Electric Rear Axle Drive

PHEV = Plug-In Hybrid Electric Vehicle

CSC Customer Symptom Codes

Code	Description
8N	Driving/Unusual noise/Unsure when/at all times
F2	Driving/Unusual noise/During acceleration
ZE	Idling/Unusual noise
D2	Front/rear axle/Unusual noise

DTC Diagnostic Trouble Codes

Vehicle Type

Type	Eng	Eng Desc	Sales	Body	Gear	Steer	Model Year	Plant	Chassis range	Struc Week Range
246	H6	BH6PHEV					2022-9999		-	202147-999952

SERVICE:

This solution is for cases where the assessment of sound level is borderline to what is considered as normal electrical sound (**see TJ 36166 for normal sound information**).

Technical Journal 36841.1.1

An ERAD Encapsulation Cover is now available to decrease the sound level by up to 3dBA.

- **Order Part number 32324792 and follow the attached instructions.**
- **Note: This solution is only valid for XC60 vehicles.**

Warranty claim info:

To get a warranty claim accepted for a job described in this TJ, use the corresponding VST OP number stated in this TJ.

Note that the TJ number must be stated in the repair order text.

VST Operation Number

VST Operation Number	Description
98296-2	Sheathing ERAD acc. to TJ

VEHICLE REPORT:

Yes, please submit a Vehicle Report if the service solution described in this TJ has no effect. Use concern area "Vehicle Report" and sub-concern area "Support Needed", use function group 4632.

To view TJ attachment continue to next page. This TJ has one attachment.



Volvo Car Customer Service

TJ Instruction VCC-528081-2

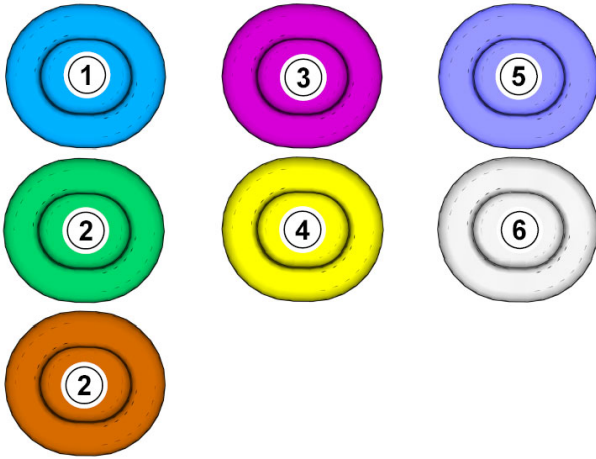
Title	Electric rear axle drive ERAD	Page	1 (4)
Action	Product fix	Operation number:	98296-2

Issue	Date	Reason
1	2024-02	First issue

Affected vehicles

Model year	Model	Engine
2022, 2023, 2024, 2025	XC60 (18-)	B4204T52, T53, T56, T57
2022, 2023, 2024, 2025	XC90 (16-)	B4204T53, T56, T57

Color symbols



Note! This colour chart displays (in colour print and electronic version) the importance of the different colours used in the images of the method steps.

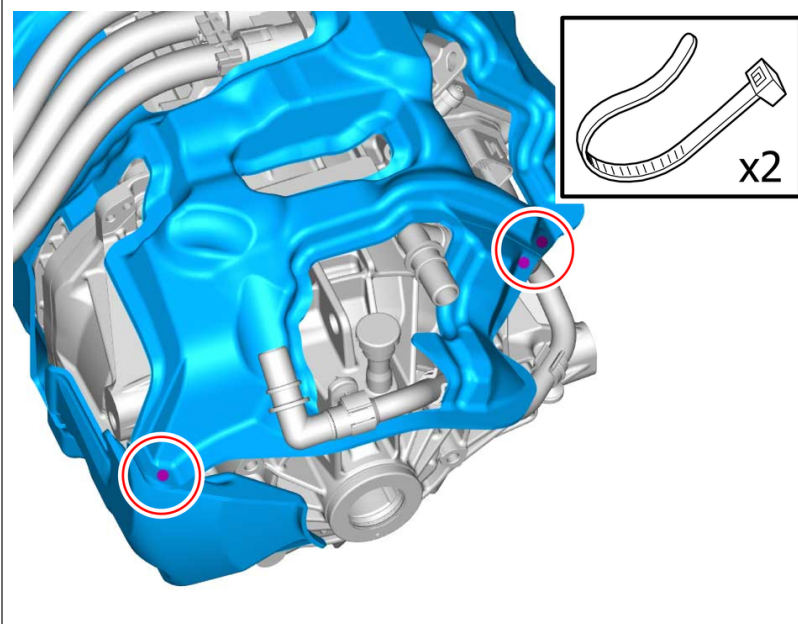
- 1 . Used for focused component, the component with which you will do something.
- 2 . Used as extra colors when you need to show or differentiate additional parts.
- 3 . Used for attachments that are to be removed/installed. May be screws, clips, connectors, etc.
- 4 . Used when the component is not fully removed from the vehicle but only hung to the side.
- 5 . Used for standard tools and special tools.
- 6 . Used as background color for vehicle components.

Removal

Remove electric rear axle drive ERAD , refer to:

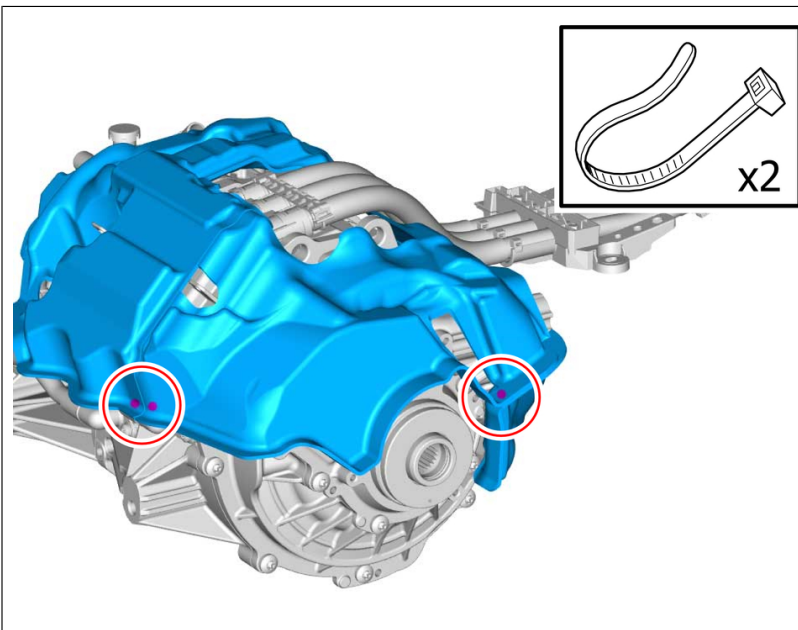
- Removal, replacement and installation
- 4 - Power transmission
- 46 - Rear axle, drive shafts
- 465 - final drive (front and rear)

Installation



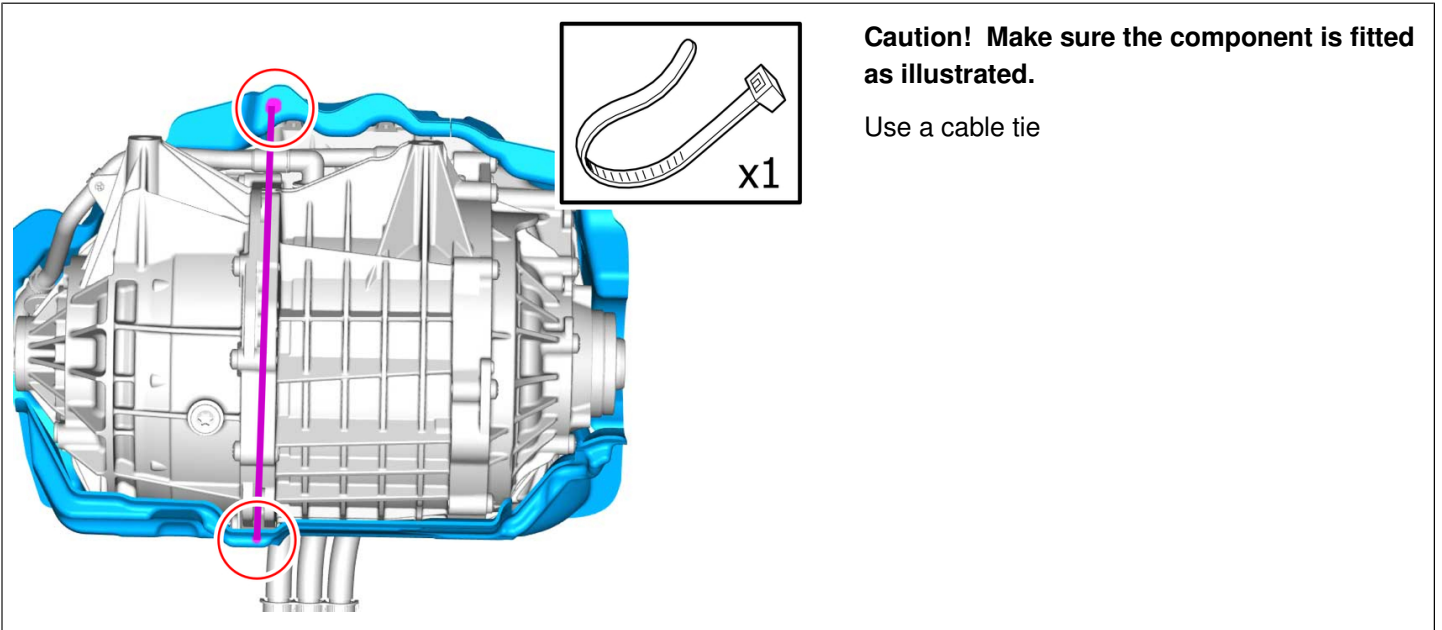
Caution! Make sure the component is fitted as illustrated.

Use a cable tie



Caution! Make sure the component is fitted as illustrated.

Use a cable tie



Caution! Make sure the component is fitted as illustrated.

Use a cable tie

To install, reverse the removal procedure.