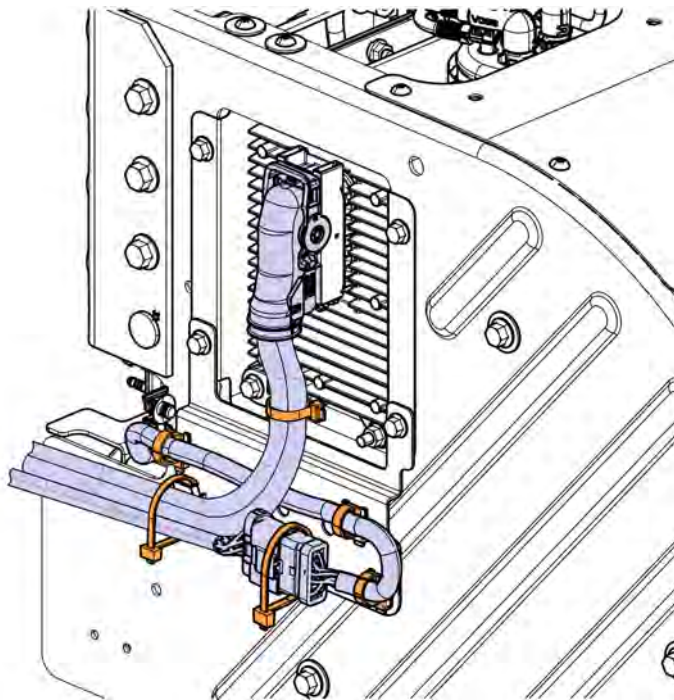


Date	Group	No.	Release	Page
1.2012	258	031	1	1(5)

## Diesel Exhaust Fluid (DEF) Tank Harness Bracket and Routing VN, VHD, VAH

### FSB 258-031, DEF Tank Harness Bracket and Routing

January 2012



W3071686

On certain Volvo vehicles built before February 13, 2012, the front chassis to urea tank connection, located on the side of the def tank, may rub the mounting bracket or not stay secured to the mounting bracket. This can lead to electrical faults or corrosion of the connections. Use the following procedure to relocate and to provide a better mounting of the connector and harness.

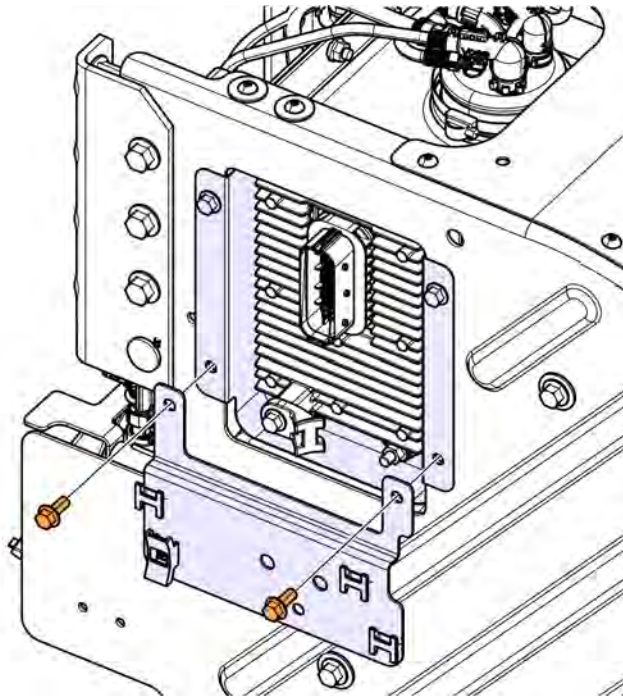
### Required Parts

Part Description	Quantity	Part Number
Bracket	1	21762055
Cable Tie	6	980464
Screw	1	994785
Nut	1	990949
Retainer	1	8153965
Retainer	3	20519287

## Procedure

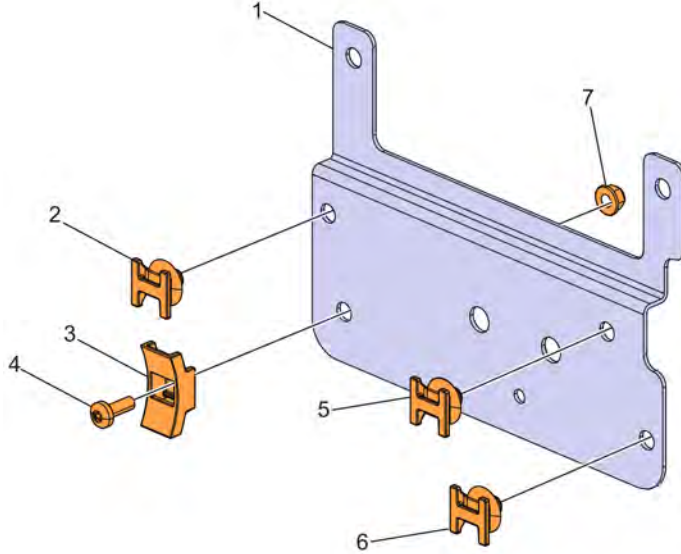
You must read and understand the precautions and guidelines in Service Information, Function Group 2, "Engine Safety Practices" before performing this procedure. If you are not properly trained and certified in this procedure, ask your supervisor for training before you perform it.

- 1 Remove all cables from ground (negative) battery terminals to prevent personal injury from electrical shock and prevent damage to electrical components
- 2 Cut cable ties as needed to loosen the DEF harness and connector
- 3 Remove the two lower fasteners which secure the After Treatment Control Module (ACM) and the "L" bracket to the DEF tank. Discard the L bracket.
- 4 Install the new bracket into position on the DEF tank. Secure fasteners and tighten to  $24 \pm 4$  Nm ( $18 \pm 3$  ft-lb)



W3071685

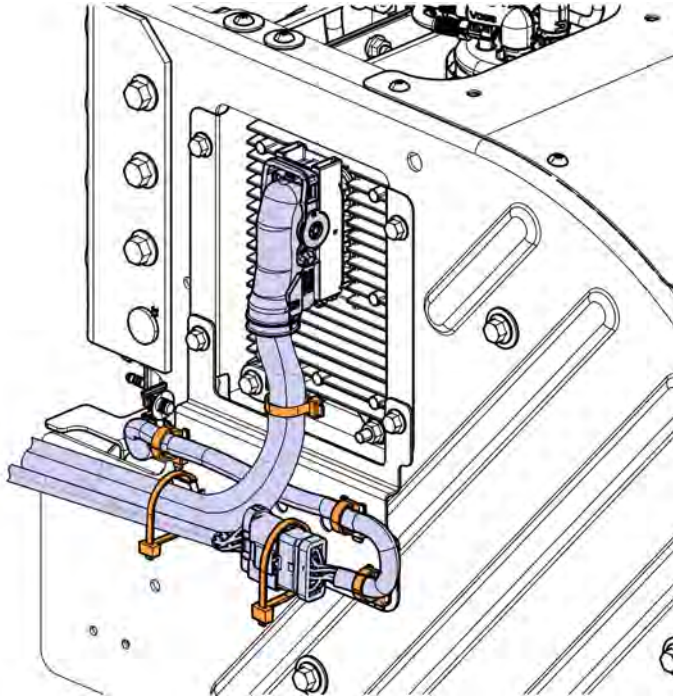
5 Install the fasteners (3 push-in retainers, 1 saddle retainer) onto the new mounting plate



W3071684

Part Description	Item Position Number	Quantity	Part Number
Bracket	1	1	21762055
Cable Tie	on all retainers	6	980464
Screw	4	1	994785
Nut	7	1	990949
Retainer	3	1	8153965
Retainer	2, 5, 6	3	20519287

- 6 Route and secure the DEF harness to the bracket with cable ties as shown in illustration. Route the connector cable tie through existing holes in the bracket.
- 7 Route and secure the ACM breakout to bracket with cable ties as shown in illustration



W3071686

- 8 Install all previously removed cables to the ground (negative) battery terminals

**Note:** Ensure that the harness and connectors are retained and do not make contact with the bracket causing rubbing.

**Reimbursement**

<b>This repair may be eligible for reimbursement if a product failure was experienced within time and mileage limits of the applicable Warranty coverage. Reimbursement is obtained via the normal claim handling process.</b>	
<b>Claim Type (used only when uploading from the Dealer Bus. Sys.)</b>	W
<b>Labor Code</b>	
Primary Labor Code	25812-2-00 0.3 hrs.
<b>Causal Part</b>	21372179

Volvo Trucks North America engages in a comprehensive program of testing and evaluating to provide the best possible product. Volvo Trucks North America however, is not committed to, or liable for updating existing vehicles.