



# Technical Bulletin

Model(s)	Year	Eng. Code	Trans. Code	VIN Range From	VIN Range To
Golf, GTI, Jetta SportWagen	2010 - 2012	All	All	All	All
Jetta Sedan	2011 - 2012	All	All	All	All

## Condition

69 12 01 June 21, 2012 2029767

**Airbag Warning Lamp Illuminated in Instrument Cluster, DTC B101614 Stored in Airbag Control Module**

## Technical Background

Airbag lamp in instrument cluster may illuminate due to unfastened connector for passenger airbag warning lamp.



**Note:**

**Symptom as described will not affect airbag functionality.**

## Production Solution

Information only.

## Service

### Procedure

- Verify airbag indicator lamp in instrument cluster is ON.
- Using GFF, scan vehicle for DTCs.
- Verify DTC B101614 is stored in airbag module.

Fault Code	Description
B101614	Front passenger airbag disabled indicator lamp interruption/short - circuit to ground



**Note:**

**If any other faults are present in airbag module, further diagnosis is required.**

# Technical Bulletin



- If DTC is present, clear fault memory and recheck for code.
- If fault clears, and the airbag indicator in the instrument cluster does not illuminate, no repairs necessary.
- If DTC reoccurs, remove center console cover using wedge tool 3409, inspect wiring connections to "PASSENGER AIR BAG WARNING LAMP" (see figures 3 and 4), for loose connection.
- Secure wiring connections as necessary.
- If connection is secure, further diagnosis is needed. This technical bulletin does not apply.
- Clear DTCs again and retest operation to verify airbag lamp is OFF in instrument cluster.

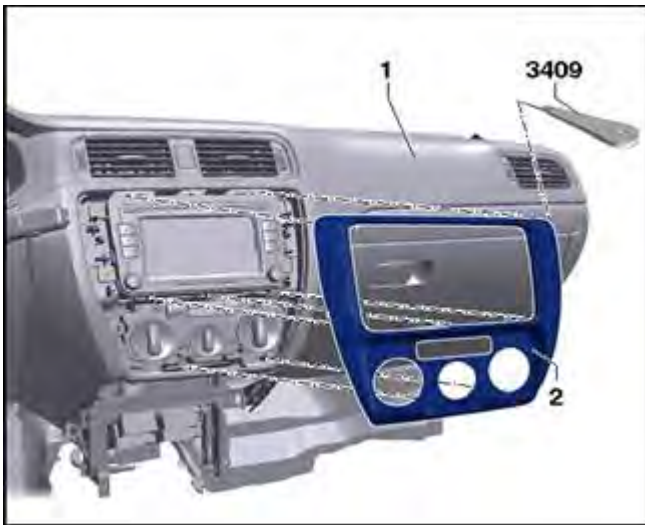


Figure 1 No - Climatronic



Figure 2 Climatronic



Figure 3



Figure 4

# Technical Bulletin



## Warranty

To determine if this procedure is covered under Warranty, always refer to the Warranty Policies and Procedures Manual <sup>1)</sup>					
Model(s)	Year(s)	Eng. Code(s)	Trans. Code(s)	VIN Range From	VIN Range To
Golf, GTI, Jetta SportWagen	2010 - 2012	All	All	All	All
Jetta Sedan	2011 - 2012	All	All	All	All
<b>SAGA Coding</b>					
Claim Type:			Use applicable Claim Type <sup>1)</sup>		
Service Number:	Damage Code	HST	Damage Location (Depends on Service No.)		
6982	0015	--	Use applicable when indicated in ElsaWeb (L/R)		
Parts Manufacturer	Golf, GTI		WVO <sup>2)</sup>		
	Jetta Sedan, Jetta SportWagen		3ME <sup>2)</sup>		
Labor Operation <sup>3)</sup> : Remove and Install Center console trim, reconnect passenger airbag warning lamp harness connector.			69824199 = 20 TU (loose connection found)		
Causal Part: Select labor operation			69824199		
<b>Diagnostic Time <sup>4)</sup></b>					
GFF Time expenditure	01500000 = 20 TU max.		YES		
Road Test	01210002 01210004		NO		
Technical Diagnosis	0132xxxx = 00 TU max.		NO		
Claim Comment: Input "As per Technical Bulletin 2029767" in comment section of Warranty Claim.					
<sup>1)</sup> Vehicle may be outside any Warranty in which case this Technical Bulletin is informational only <sup>2)</sup> Code per warranty vendor code policy. <sup>3)</sup> Labor Time Units (TUs) are subject to change with ELSA updates. <sup>4)</sup> Documentation required per Warranty Policy Procedures Manual.					

# Technical Bulletin



## Required Parts and Tools

No special parts required.

Tool Description	Tool No:
Wedge Tool	3409
Midtronics Battery Tester/Charger	InCharge 940 (INC-940)
VAS Diagnostic Tool	VAS-PC, 5051B, 5052A, 6150X (Base CD V19.01.00 and Brand DVD V19.15.00 or higher)

## Additional Information

All part and service references provided in this Technical Bulletin are subject to change and/or removal. Always check with your Parts Dept. and Repair Manuals for the latest information.