

Technical Service Bulletin Number	Revision Level	Date	Group Number
TSB130044			



SB-10051984-9832



## Technical Service Bulletin

### Subject

---

New Fuel Pump Gear Pump with Revised Fuel Line Locations

### Warranty Statement

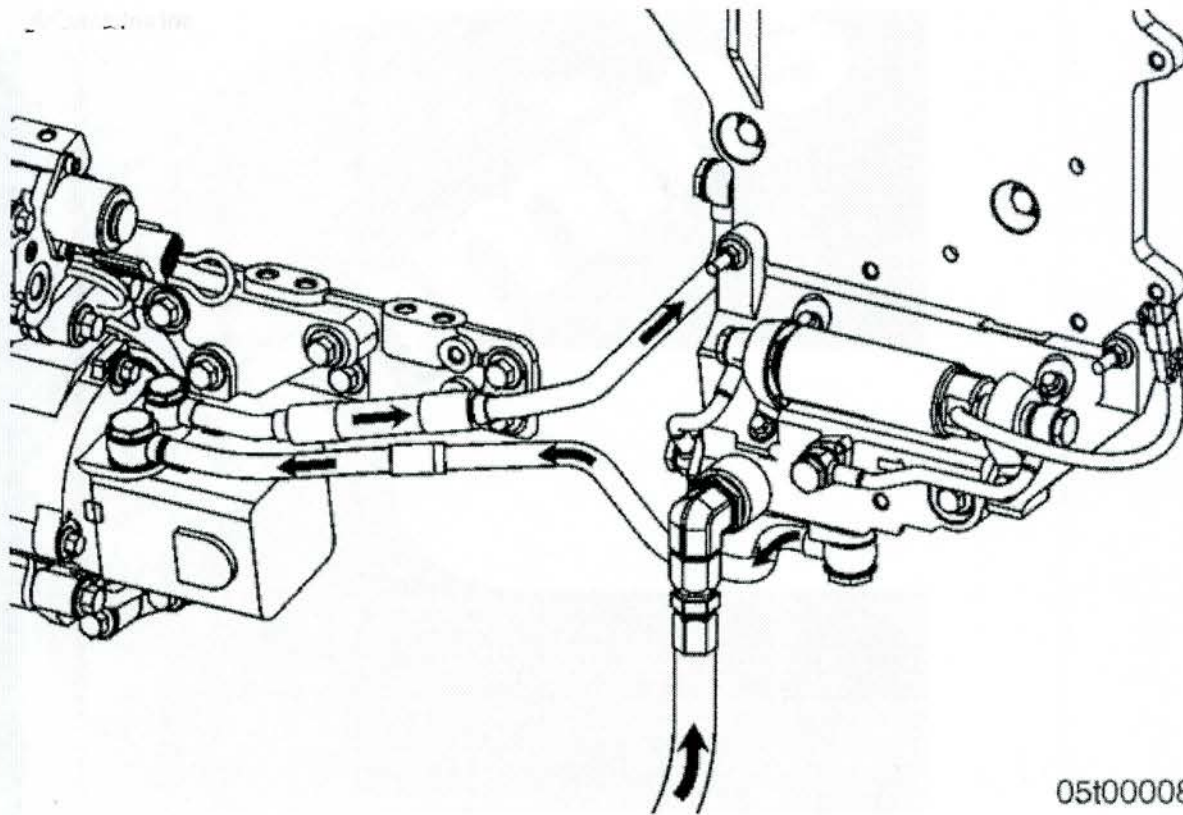
---

The information in this document has no effect on present warranty coverage or repair practices, nor does it authorize TRP or Campaign actions.

### Contents

---

This document releases a new fuel pump gear pump with revised fuel line locations and revised fuel lines for ISX15 CM2220 and QSX15 CM2250 engines.



05t00008

### New Fuel Pump Gear Pump with Revised Fuel Line Locations

The ISX15 CM2250 engine was released with the fuel lines located on the bottom of the fuel pump gear pump. A new design fuel pump gear pump has been released with the fuel line location changed to the top of the fuel pump gear pump. This change was made to ease initial assembly of the engine.

For engines built prior to 02-February-2011 that were built with the three-cylinder, two piston high-pressure fuel pump, this fuel pump has been obsoleted in favor of a two-cylinder high-pressure fuel pump. Please reference TSB110064 and Installation Instructions, Bulletin 4907962, for information on replacing the three-cylinder, two piston fuel pump with a two cylinder fuel pump.

For engines built after 02-February-2011, or engines that have already had TSB110064 performed, the fuel pump gear pump and fuel lines will need to be replaced with revised components. Reference Table 1 for parts ordering details.

The release date for the revised fuel pump gear pump and fuel lines for production is 12-December-2012.

The release date for the revised fuel pump gear pump and fuel lines for service is 04-February-2013.

The engine serial number (ESN) first is 79629752.

**Table 1: Required Parts for Installation of Fuel Pump Gear Pump With Electric Priming Pump**

--	--	--	--



Part Description	Old Part Number	New Part Number	Quantity
Fuel Pump Gear Pump With O-ring Seal	2897371	4307482	1
Fuel Line to Fuel Pump Gear Pump	3687027	3688089	1
Fuel Line Fuel Pump Gear Pump to Engine Control Module (ECM) Cooling Plate	4298537	3688398	1
Sealing Washer	3963988	3963988	4
Sealing Washer	3963991	3963991	4

**Table 2: Required Parts for Installation of Fuel Pump Gear Pump Without Electric Priming Pump**

Part Description	Old Part Number	New Part Number	Quantity
Fuel Pump Gear Pump With O-ring Seal	2897371	4307482	1
Fuel Line to Fuel Pump Gear Pump	3687027	3688089	1
Fuel Line Fuel Pump Gear Pump to Mounting Bracket	3687028	3688112	1
Sealing Washer	3963988	3963988	4
Sealing Washer	3963991	3963991	4

## Document History

Date	Details
2013-2-19	Module Created

**Last Modified: 25-Feb-2013**