

© 2013 Mazda Motor of America, Inc.

Subject: EXCESSIVE CONDENSATION OR WATER WITHIN THE HEADLAMP ASSEMBLY - CAUTION	Bulletin No: 09-003/13
	Last Issued: 03/04/2013

BULLETIN NOTE

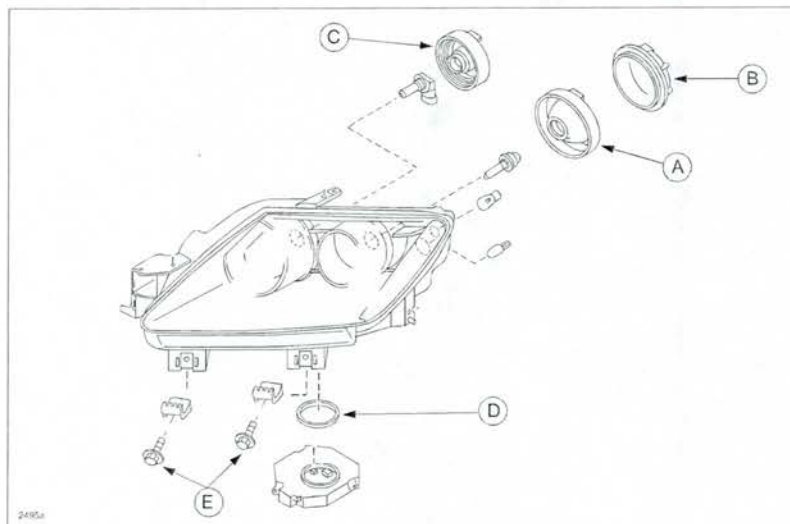
- This bulletin supersedes the previous bulletin 09-005/11 issued on 02/07/11. The **APPLICABLE MODEL(S)/VINS** have been revised.
- Changes are noted below in Red beside the change bar.

APPLICABLE MODEL(S)/VINS

2011- 2013 Mazda2	2007- 2014 Mazda6	2007- 2012 CX-7	2006- 2013 MX-5
2007- 2013 Mazda3	2008-2011 Tribute	2007- 2013 CX-9	
2006- 2013 Mazda5	2013-2014 CX-5	2007-2011 RX-8	

DESCRIPTION

When dealing with customer complaints of excessive condensation and/or water within the headlamp unit, first determine if all the bulb sockets are present and correctly installed. In most cases you will find that the Bulb Seal No. 1 (A) or HID Bulb Seal No. 1 (B) and Bulb Seal No. 2 (C) socket covers have not been correctly installed or are missing due to improper prior repairs (i.e., customer replacing the headlamp bulbs or body shop not transferring them when replacing the headlamp unit(s) due to a collision). Any damage caused by missing socket covers, HID module seal (D), or missing bumper brackets (E) is not covered by warranty policy.



CONSUMER NOTICE: The information and instructions in this bulletin are intended for use by skilled technicians. Mazda technicians utilize the proper tools/equipment and take training to correctly and safely maintain Mazda vehicles. These instructions should not be performed by "do-it-yourselfers." Customers should not assume this bulletin applies to their vehicle or that their vehicle will develop the described concern. To determine if the information applies, customers should contact their nearest authorized Mazda dealership. Mazda North American Operations reserves the right to alter the specifications and contents of this bulletin without obligation or advance notice. All rights reserved. No part of this bulletin may be reproduced in any form or by any means, electronic or mechanical---including photocopying and recording and the use of any kind of information storage and retrieval system ---without permission in writing.