

SB-10055304-8451

Seat Harness Routing (Non-Swivel)
 VN, VHD, VAH

FSB 375-010, Seat Harness Routing (Non-Swivel)

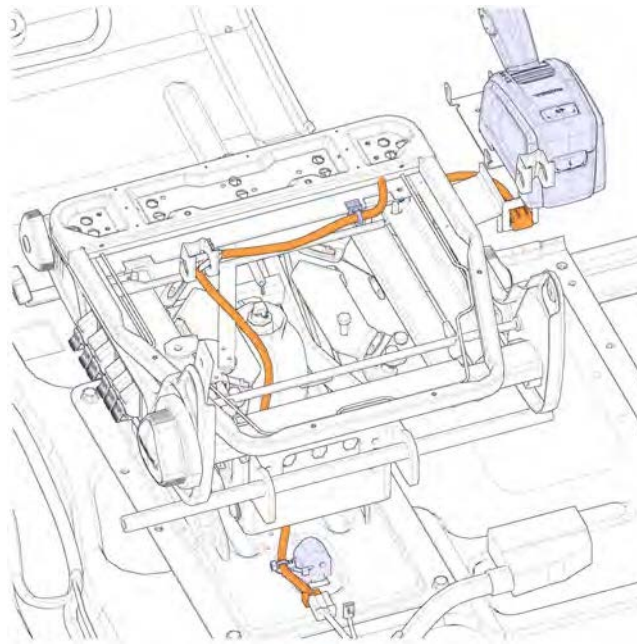
(March 2014)

Vehicles equipped with a driver side non-swivel seat and I shift transmission, built prior to October 20, 2013, may experience the seat harness being crushed by seat base, which may cause wire chaffing/damage.

To correct the situation a new routing has been implemented to prevent the above failures.

Required Parts

Quantity	Part Number	Description
1	20885496	Double Cable Tie
2	21096682	Cable Tie with Horizontal Edge Clip
1	25375492	Cable Tie with Vertical Edge Clip



W3076418

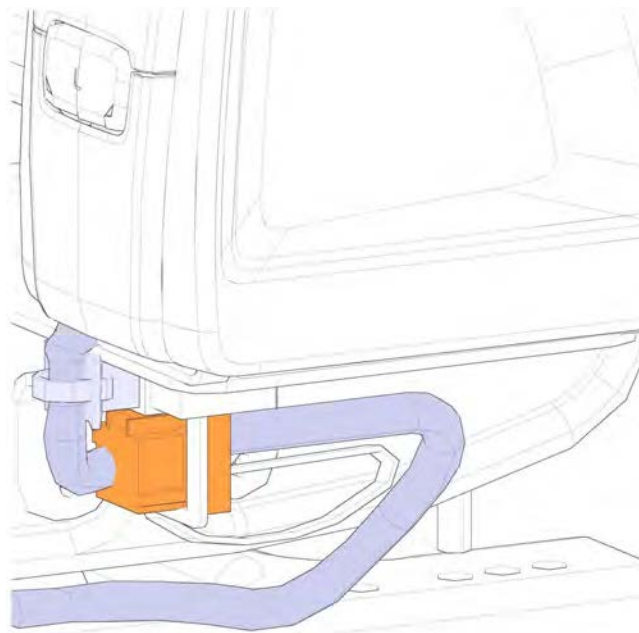
Service personnel: Please circulate, read and initial

Service Manager	Warranty Administrator	Workshop Foreman	Service Technicians					

You must read and understand the precautions and guidelines in Service Information, group 30, "General Safety Practices, Electrical and Electronics" before performing this procedure. If you are not properly trained and certified in this procedure, ask your supervisor for training before you perform it.

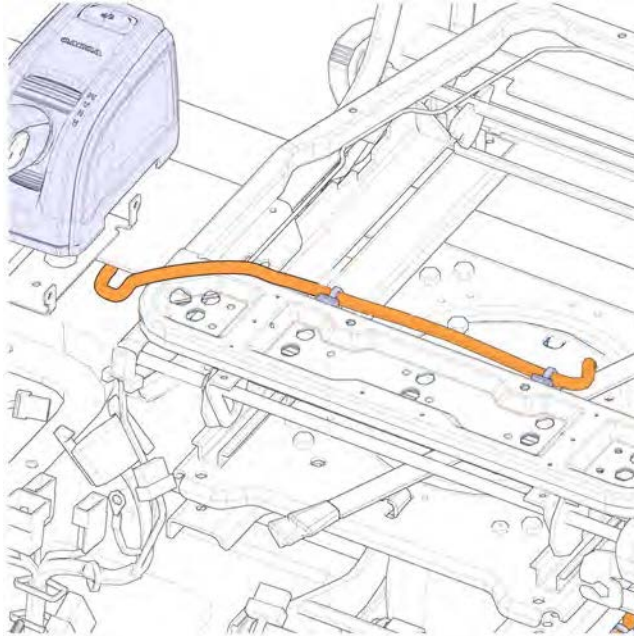
Repair

- 1 Secure the vehicle for service by parking it on a flat level surface, applying the parking brake, chocking the rear wheel, and placing the transmission in neutral.
- 2 Disconnect all cables from the negative (ground) battery terminals to prevent personal injury from electrical shock and prevent damage to electrical components.
- 3 Disconnect the wiring harness connector at the shifter.

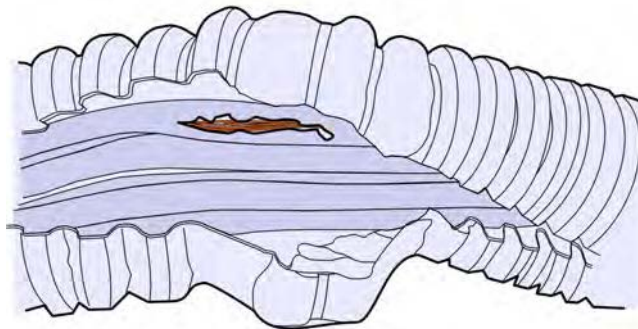


W3076414

- 4 Look for chafed wires under seat base. Reuse harness if undamaged. If damaged repair as necessary.

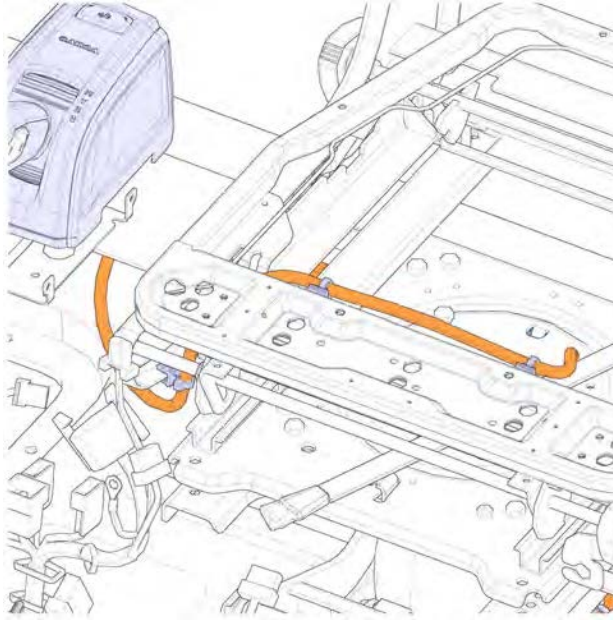


W3088546

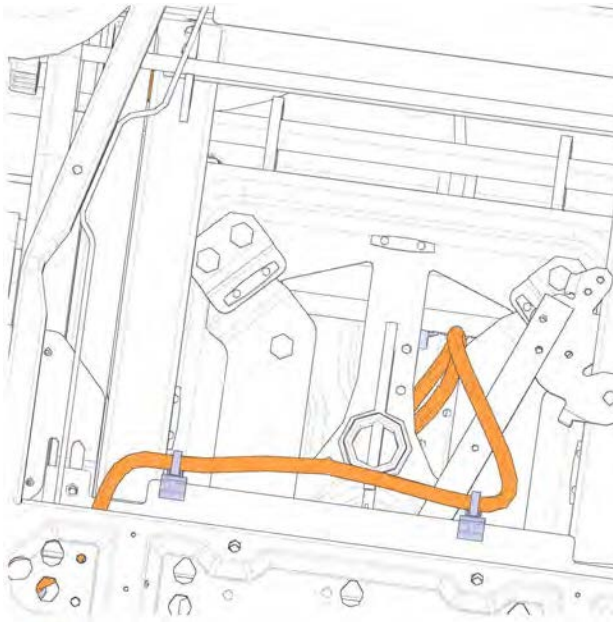


W3076421

- 5 Flip seat cushion up and loosely install and cable tie the shifter harness along the new path for routing and clipping.



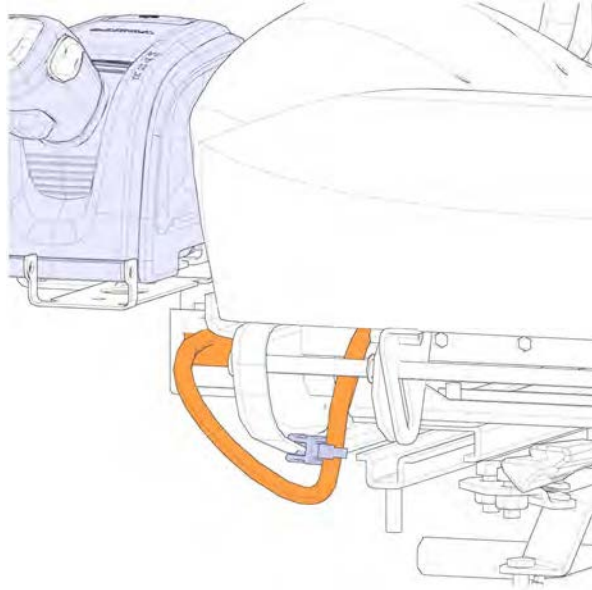
W3076417



W3076420

Cable Tie with Horizontal Edge Clip # 21096682, Qty 2

- 6 Secure the shifter harness by cinching all the cable ties until the corrugated loom is lightly snug.

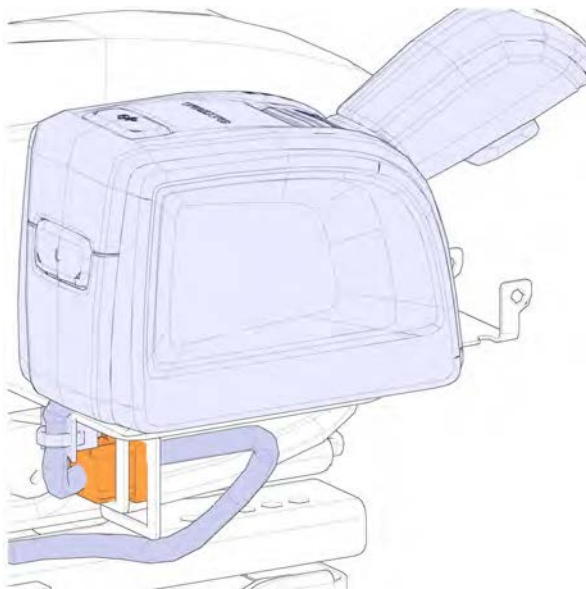


W3076419

Cable Tie with Vertical Edge Clip # 25375492, Qty 1

Note: Do not over tighten the cable ties, otherwise the wires and loom will become damaged.

7 Connect the wiring harness connector at the shifter.



W3076416

8 Install all the previously removed cables to the negative (ground) battery terminals.

Reimbursement

This repair may be eligible for reimbursement if a product failure was experienced within time and mileage limits of the applicable Warranty coverage. Reimbursement is obtained via the normal claim handling process.	
Claim Type (used only when uploading from the Dealer Bus. Sys.)	W
Labor Code	
Primary Labor Code	37510-2-00 0.3 hrs.
Causal Part	20962710

Volvo Trucks North America engages in a comprehensive program of testing and evaluating to provide the best possible product. Volvo Trucks North America however, is not committed to, or liable for updating existing vehicles.