

 <b>SLINGSHOT</b> Release Date: 01/21/2015 Expiration Date:	<h1 style="margin: 0;">TECHNICAL SERVICE BULLETIN</h1> <h2 style="margin: 0;">Slingshot</h2>	Bulletin Number: <b>SLI-15-01</b> Model Year(s): <b>2015</b>
<input checked="" type="checkbox"/> Safety Bulletin <input type="checkbox"/> Service Bulletin <input type="checkbox"/> Service Alert Fax <input type="checkbox"/> Production Update Kit		
Distribution: <input type="checkbox"/> Owner / Principal <input type="checkbox"/> Service Manager <input type="checkbox"/> Sales Manager <input type="checkbox"/> Parts Manager <input type="checkbox"/> Technicians		
This Service Bulletin is located at <a href="http://www.polarisdealers.com">www.polarisdealers.com</a>		
-Confidential and Proprietary-		

**SUBJECT: 2015 Slingshot / Slingshot SL – Roll Hoop Replacement**

**PURPOSE:**

Polaris has determined that some Slingshot vehicles were manufactured with roll hoops that do not meet quality specifications. Roll hoop hardness may have been compromised during the painting process. In the unlikely event of a rollover, a roll hoop that does not meet our quality specification may not provide the level of protection that Polaris intends, increasing the risk of an injury.

**POTENTIALLY AFFECTED MODELS:**

Model Year	Model Numbers	Models	Vehicle Identification Number Range
2015	ALL MODEL NUMBERS	ALL MODELS	Enter the Vehicle Identification Number (VIN) into 'Unit Inquiry' to verify whether a vehicle is affected by this Safety Bulletin.

**WHAT YOUR DEALERSHIP SHOULD DO:**

1. Review your dealership's inventory to locate affected models.
  - a. Use 'Unit Inquiry'.
  - OR*
  - b. Login to the dealer website.
  - c. Locate the 'Service and Warranty' dropdown, click on STOP Site.
  - d. On the left hand side of the page, under 'STOP Site Links', click on 'Service Bulletins'.
  - e. Locate the SLI-15-01 link and click on the 'All VINs' link located on the right.
  - f. The 'All VINs' page will display all affected VINs within your dealership's inventory.
2. Perform the roll hoop replacement procedure outlined in this Safety Bulletin on all affected units.
3. File a warranty claim following completion and attach a bulletin completion decal as shown on page 2 of this bulletin.

**CUSTOMER NOTIFICATION:**

A customer notification letter will be sent to all registered owners of affected vehicles. In addition to the notification letter sent by Polaris, dealers are required to review sales records and contact consumers who have purchased a potentially affected vehicle. Make arrangements to perform the steps outlined in this Safety Bulletin immediately.

## WARRANTY CLAIM INFORMATION:

A single group claim may be submitted listing the complete (17 digit) Vehicle Identification Number for machines with the same model number. File claim type: **SB (Service Bulletin)**. DO NOT PUT MORE THAN ONE MODEL NUMBER ON A CLAIM.

SERVICE BULLETIN #	SLI-15-01
CLAIM TYPE	SB (Service Bulletin)
LABOR ALLOWANCE	24 Minutes (0.4 Hours)
CLAIM PART NUMBERS	N/A – Auto Process Bulletin

## PARTS INFORMATION:

PART NUMBER / DESCRIPTION	7170107 (QTY.1) – Service Bulletin Completion Decal 5139095-463 (QTY.1) – Roll Hoop, Left Side 5139096-463 (QTY.1) – Roll Hoop, Right Side 7519264 (QTY.8) – Bolts, Roll Hoop
PARTS AVAILABILITY	Available to order
DIRECT-SHIP FROM POLARIS?	No
TO BE ORDERED BY DEALER?	Yes

## PARTS RETURN OR DISPOSAL INFORMATION:

**International Dealers & Distributors:** Under no circumstances shall the part(s) removed in this repair be re-used, sold, or re-purposed for another application. It is your dealership / distributorship's responsibility to make sure every part replaced is taken out of circulation and disposed of properly.

**For North American Dealers:** Once the warranty claim for each unit has processed, please review the "Check Returned Parts List" on your dealer website. The roll hoops (5139095 and 5139096) are items you will be required to return to Polaris. If you fail to return them your dealership will be charged.

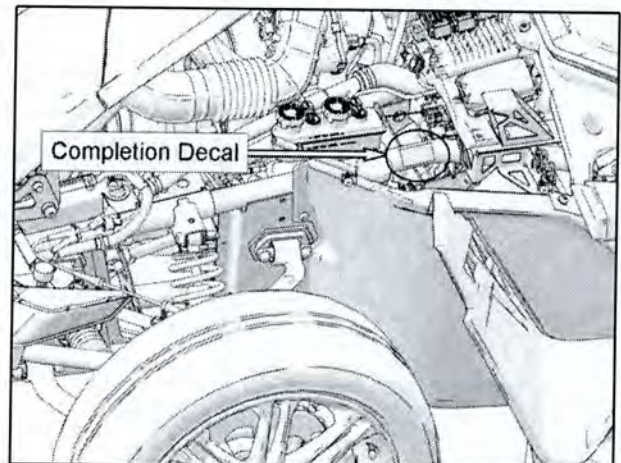
## SERVICE BULLETIN COMPLETION DECAL:

A Service Bulletin Completion Decal (PN 7170107) must be completed for this bulletin repair. Place the decal on the left side frame tube, near the brake master cylinder (as shown). If you require more decals, order them through normal Polaris parts ordering channels.

Sincerely,



Doug Koch  
Technical Service and Warranty Manager



## ROLL HOOP REPLACEMENT

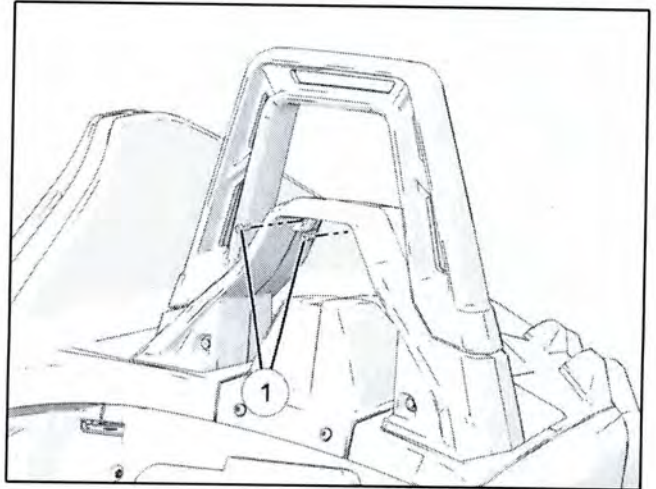
### CAUTION:

- Roll hoop bolts should be discarded once they have been removed from the vehicle. Do NOT reuse roll hoop bolts.
- Caution should be used when tightening body panel fasteners. Over-tightening body components may result in damage.

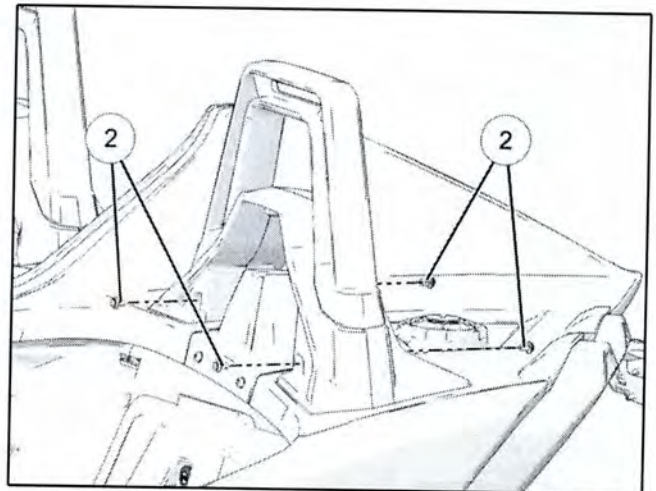
1. Park the vehicle on a level surface and apply the parking brake.

*Starting on the driver's side:*

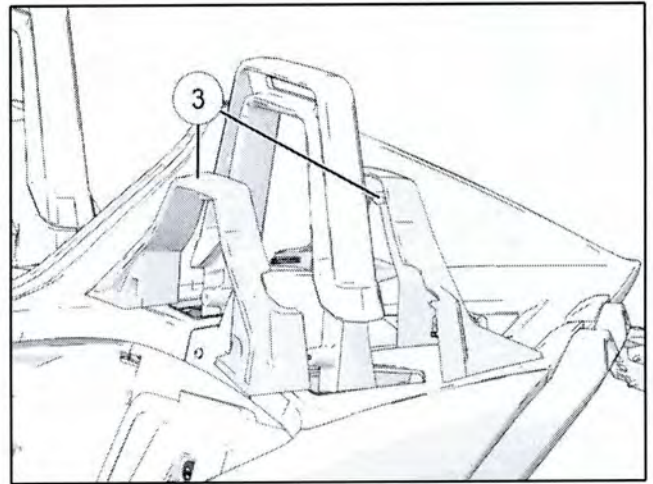
2. Move driver seatback to the forward position.
3. Using a T25 Torx driver, remove the upper roll hoop cover screws ①.



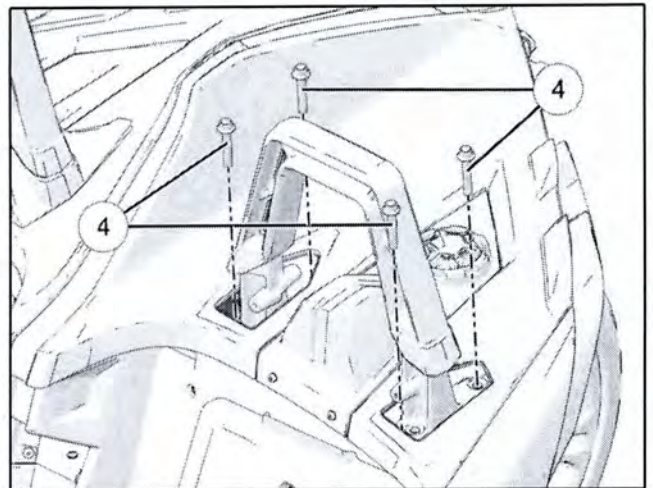
4. Using a T40 Torx driver, remove the lower roll hoop cover screws ②.



5. Carefully remove roll hoop covers (3) and store in a safe place to avoid damaging painted surfaces.



6. Using a 16mm socket, remove the bolts (4) securing the roll hoops to the vehicle and discard.



7. Remove the roll hoop (5) and retain so that it can be returned to Polaris.

8. Install the new roll hoop and torque fasteners to specification using a crisscross pattern.

**TORQUE:**

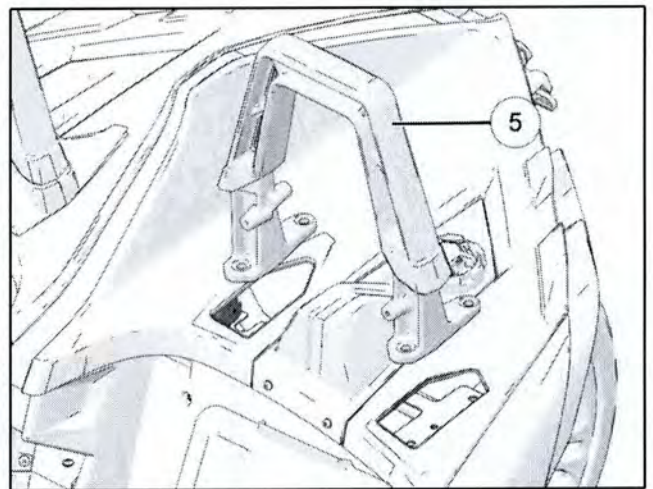
Roll Hoop Bolts: **60 ft-lbs (81.3 Nm)**

9. Install the roll hoop cover and torque fasteners to specification.

**TORQUE:**

Upper Roll Hoop Cover Screws: **36 in-lbs (4.1 Nm)**

Lower Roll Hoop Cover Screws: **65 in-lbs (7.3 Nm)**



10. Repeat steps 1-9 for the passenger side roll hoop.