

Tony Lawrence

From: Tony Lawrence
Sent: Friday, October 03, 2014 3:18 PM
To: All Dirs All Rgns - PT; All Dirs All Rgns - SR
Subject: MAZDA DEALER NOTICE - SERVICE BULLETIN RELEASE

SERVICE BULLETIN RELEASE - 10/03/2014

2014 INDEX: http://www.mstore2000.com/PDF_Files/index10-03-14.pdf

The following Service Bulletin has just been issued.

- For latest MS3 postings, click here: <https://portal.mazdausa.com/m173/service/esi/MazdaServiceShop>

- For printable PDF files from MStore, click on the link below each TSB title:

* If the links do not automatically take you directly to the document, cut and paste the link into your internet browser address window and press enter.

NEW BULLETIN

05-010/14 - 2010-2015 CX-9 - DIFFICULT TO MOVE SELECTOR LEVER OUT OF "P" RANGE

http://www.mstore2000.com/PDF_Files/05-010-14-2960.pdf

UPDATED BULLETIN

09-002/14 - 2013-2015 CX-5 - RATTLE NOISE FROM INSTRUMENT PANEL AND/OR CREAK NOISE FROM A-PILLAR OVER ROUGH / BUMPY ROADS

http://www.mstore2000.com/PDF_Files/09-002-14-2864a.pdf

- Please distribute this information to all parts and service personnel.
- If you no longer wish to receive Mazda service bulletins, please contact the IT Administrator at your dealership and ask them to remove your email address from under the EMDCS application.

© 2014 Mazda Motor of America, Inc.

Subject: DIFFICULT TO MOVE SELECTOR LEVER OUT OF "P" RANGE	Bulletin No: 05-010/14
	Last Issued: 10/03/2014

APPLICABLE MODEL(S)/VINS

2010-2015 CX-9

DESCRIPTION

Some customers may experience difficulty moving the selector lever out of "P" range after the vehicle has been parked overnight in extremely cold temperatures (i.e. below freezing). The selector lever movement may return to normal after running the climate control system at maximum hot for short period of time.

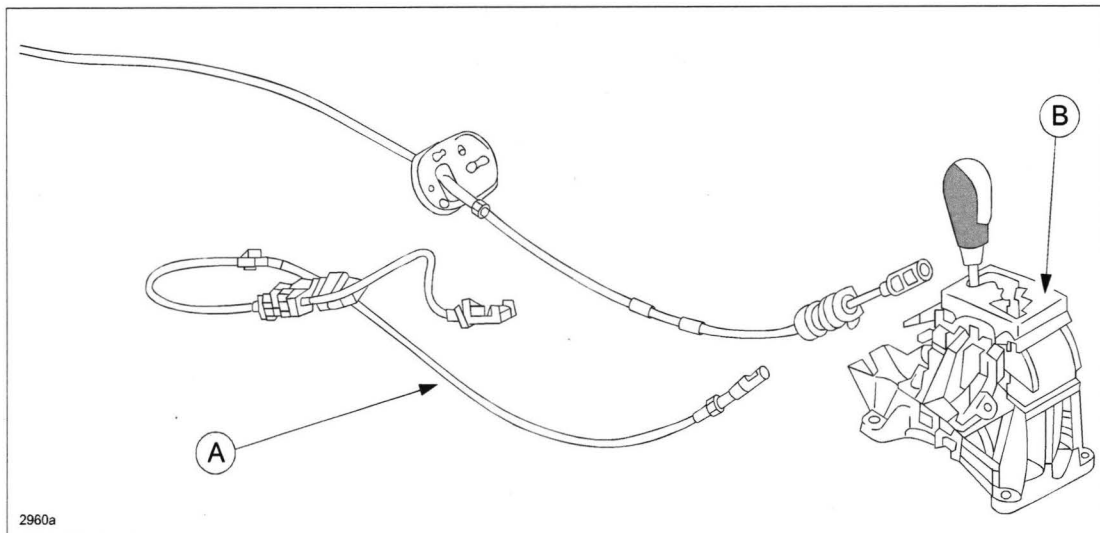
This concern may be caused accidentally by the customer spilling a drink around the selector lever. When the spilled liquid reaches the interlock cable and freezes overnight, it causes the customer to have difficulty moving the selector lever out of "P" range the next morning.

Customers having this concern should have their vehicle repaired using the following repair procedure.

REPAIR PROCEDURE

1. Verify the customer concern.
2. Replace the interlock cable (A) according to the instructions on MS3 online or the Workshop Manual (section 05-18 AUTOMATIC TRANSAXLE SHIFT MECHANISM REMOVAL/INSTALLATION).

NOTE: Advise the customer to take the necessary precautions to avoid spilling liquids around the selector lever (B) area.

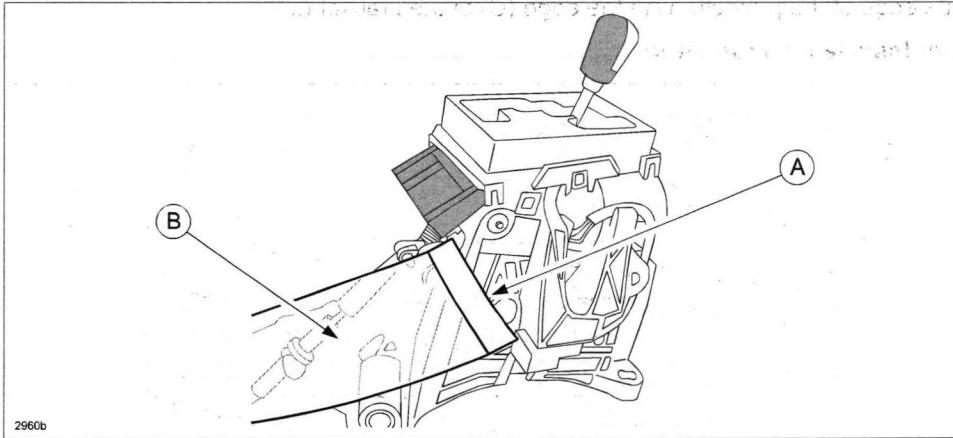


3. Install the protector to the selector lever using the "Protector Installation Procedure" below.

CONSUMER NOTICE: The information and instructions in this bulletin are intended for use by skilled technicians. Mazda technicians utilize the proper tools/equipment and take training to correctly and safely maintain Mazda vehicles. These instructions should not be performed by "do-it-yourselfers." Customers should not assume this bulletin applies to their vehicle or that their vehicle will develop the described concern. To determine if the information applies, customers should contact their nearest authorized Mazda dealership. Mazda North American Operations reserves the right to alter the specifications and contents of this bulletin without obligation or advance notice. All rights reserved. No part of this bulletin may be reproduced in any form or by any means, electronic or mechanical—including photocopying and recording and the use of any kind of information storage and retrieval system—without permission in writing.

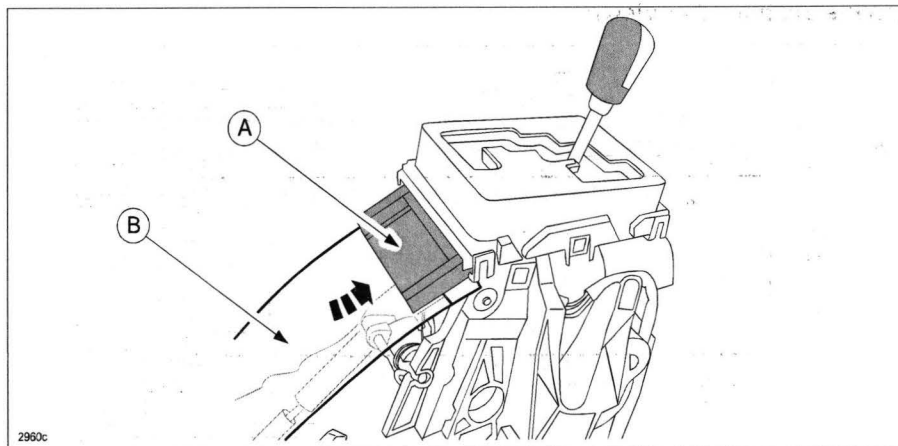
Protector Installation Procedure:

1. Peel off the backing film (A) from the protector (B).



2. Attach the protector (B) under the protruded area (A) of the selector lever (as shown below).

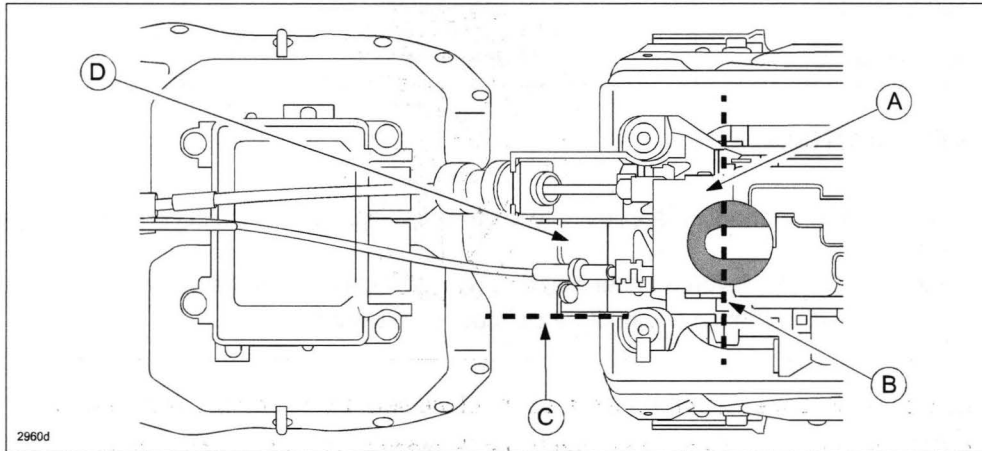
NOTE: Install the protector correctly, referring to the "Protector Installation Note" below.



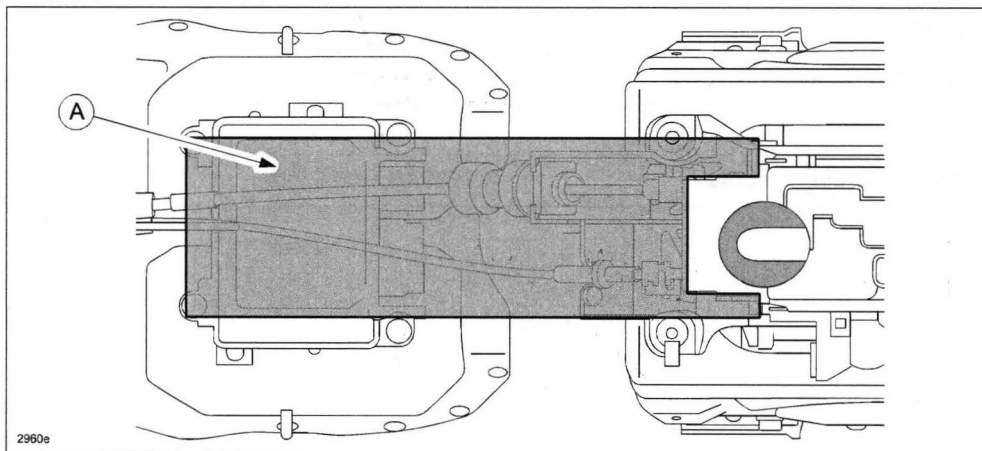
Protector Installation Note:

1. Insert the protector under the protruded area (A) all the way to the vertical line (B) shown below.
2. Align the side edge of the protector with the edge (C) of the bracket (D).

Before Protector Installation (Top View):



After Protector (A) Installation (Top View):



Bulletin No: 05-010/14
© 2014 Mazda Motor of America, Inc.

Last Issued: 10/03/2014

PART(S) INFORMATION

Part Number	Description	Qty.
TDY0-46-526	Protector	1
TD11-46-300D	Cable, Interlock	1

WARRANTY INFORMATION

NOTE:

- This warranty information applies only to verified customer complaints on vehicles eligible for warranty repair.
- This repair will be covered under Mazda's New Vehicle Limited Warranty term.
- Additional diagnostic time cannot be claimed for this repair.

Warranty Type	A
Symptom Code	90
Damage Code	93
Part Number Main Cause	7777-SP-J52
Quantity	0
Operation Number / Labor Hours:	XXK89XRX / 0.9 Hrs.