

Front License Plate & Mounting Bracket Installation

Service
Category General

Section Pre-Delivery Service

Market USA

Lexus Supports
ASE Certification 

Applicability

YEAR(S)	MODEL(S)	ADDITIONAL INFORMATION
2014	CT200H	

Introduction

The front license plate mounting bracket and two self-tapping screws for the 2014 model year CT 200h are placed in the luggage compartment of the vehicle at the assembly plant. For states that require a front license plate, install the bracket and bolts on the bumper cover during Pre-Delivery Service (PDS) according to the following procedures.

Warranty Information

OP CODE	DESCRIPTION	TIME	OFP	T1	T2
N/A	Not Applicable to Warranty	-	-	-	-

Front License Plate & Mounting Bracket Installation

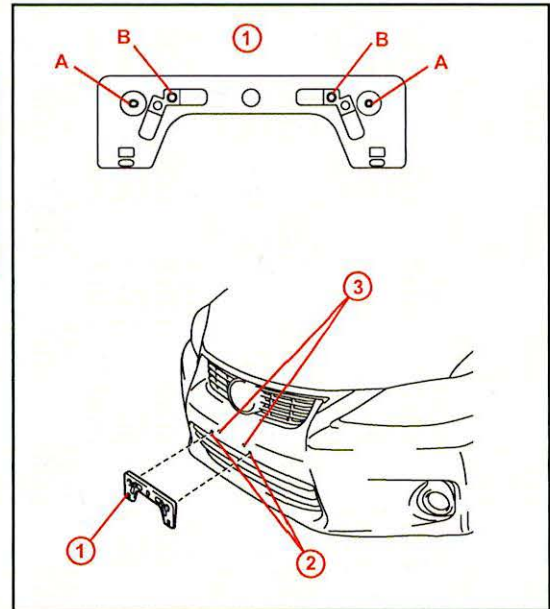
Installation Procedure

1. Align holes "A" of the mounting bracket with the dimples on the front bumper cover. Mark the location of holes "B" on the front bumper cover.

NOTE

- Holes "A" are used to install the mounting bracket to the bumper cover.
- Holes "B" are used for installation of the front license plate to the mounting bracket.

Figure 1.



1	Mounting Bracket
2	Dimples
3	Mark and Drill Holes

2. Drill two relief holes with a diameter of 11 mm (0.43 in.) at the marks on the front bumper cover (holes "B" location) to prevent the license plate retaining bolt ends from contacting the cover.

NOTE

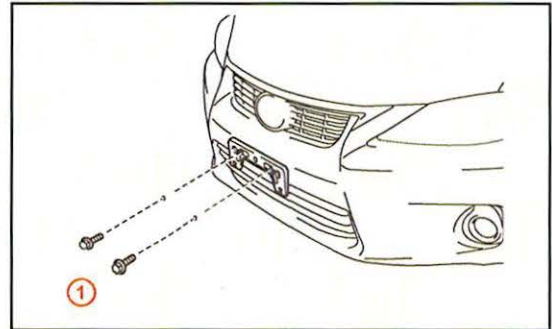
Do NOT drill into the dimples on the front bumper cover.

Front License Plate & Mounting Bracket Installation

Installation Procedure (Continued)

3. Install the mounting bracket to the front bumper cover at holes "A" using the two supplied self-tapping screws.

Figure 2. Mounting Bracket



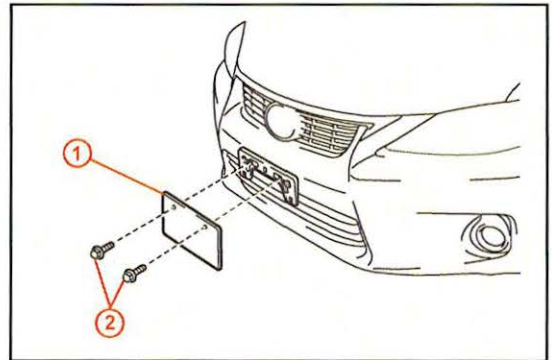
- | | |
|----------|------------------------------------|
| 1 | Self-Tapping Screws into Holes "A" |
|----------|------------------------------------|

4. Install the front license plate to the mounting bracket at holes "B" using two non-corroding bolts with the following dimensions.

Nominal Length: 15.0 mm (0.59 in.)

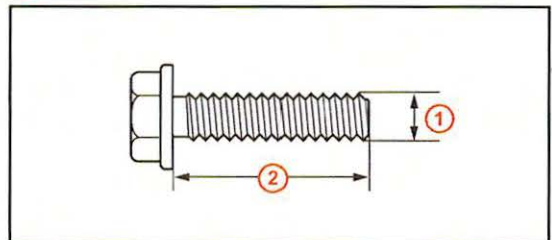
Diameter: 6.0 mm (0.24 in.)

Figure 3. License Plate



- | | |
|----------|---------------------|
| 1 | Front License Plate |
| 2 | Bolts |

Figure 4.



- | | |
|----------|----------------|
| 1 | Diameter |
| 2 | Nominal Length |