

Tony Lawrence

From: Christopher Ciz
Sent: Tuesday, April 08, 2014 2:08 PM
To: All Dlr's All Rgns - PT; All Dlr's All Rgns - SR
Subject: MAZDA DEALER NOTICE - SERVICE BULLETIN RELEASE

SERVICE BULLETIN RELEASE - 04/08/2014

2014 INDEX: http://www.mstore2000.com/PDF_Files/index04-08-14.pdf

The following Service Bulletin has just been issued.

- For latest MS3 postings, click here: <https://portal.mazdausa.com/m173/service/esi/MazdaServiceShop>

- For printable PDF files from MStore, click on the link below each TSB title:

* If the links do not automatically take you directly to the document, cut and paste the link into your internet browser address window and press enter.

NEW BULLETIN

00-001/14 – SPECIAL SERVICE TOOL SHIPMENT - APRIL 2014

http://www.mstore2000.com/PDF_Files/00-001-14-2912.pdf

UPDATED BULLETIN

01-010/14 – MULTI-MODEL (WITH SKYACTIV 2.0L/2.5L) - MIL ON WITH DTC P0191:00

http://www.mstore2000.com/PDF_Files/01-010-14-2896a.pdf

- Please distribute this information to all parts and service personnel.
- If you no longer wish to receive Mazda bulletins, please contact the IT Administrator at your dealership and ask them to remove your email address from under the EMDCS application.

Service Bulletin

Mazda North American Operations
Irvine, CA 92618-2922



© 2014 Mazda Motor of America, Inc.

Subject: SPECIAL SERVICE TOOL SHIPMENT - APRIL 2014	Bulletin No: 00-001/14
	Last Issued: 04/08/2014

APPLICABLE MODEL(S)/VINS

2007-14 Mazda CX-9 AWD

DESCRIPTION/PRICING

In support of the 2007-14 CX-9, Mazda will ship to all dealers one (1) new Special Service Tool (SST). The SST will be shipped automatically by Mazda's tool vendor Snap-On Tools during the month of April 2014, and completing in May 2014.

The initial shipment in April will be made to a limited number of dealers with a higher than average rate of repairs, with all remaining dealers receiving the SST in May 2014.

The following SST is the latest addition to the Mazda Required Tool (MRT) list.

Part Number	Description	Pricing
49S0-34-205	Support Block	\$65

BILLING INFORMATION

Tool(s) will be automatically invoiced to your dealer parts account statement. If your accounting department has any questions regarding this invoicing, please call Mazda Special Service Tools (949-442-6539).

SHIPPING INFORMATION

Tools will be shipped via UPS Ground to your service department in April or May 2014.

Please advise your shipping/receiving personnel of this tool shipment.

OBTAINING ADDITIONAL TOOLS

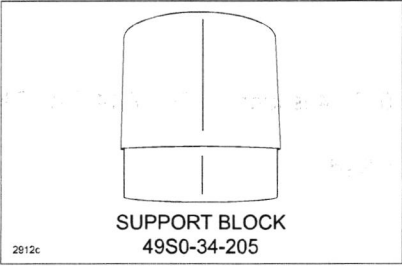
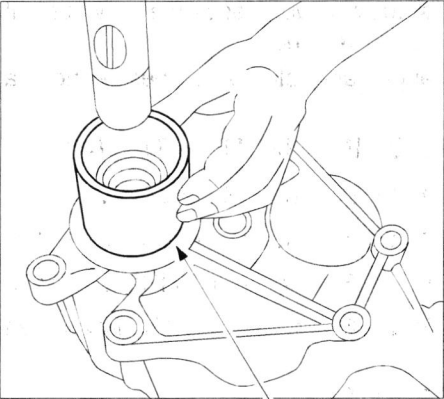
To order additional SSTs, submit orders via MStore at <http://dealers.mazdausa.com>.

CUSTOMER SERVICE INFORMATION

For warranty or product information call Snap-On Customer Service at (800) 424-7226.

CONSUMER NOTICE: The information and instructions in this bulletin are intended for use by skilled technicians. Mazda technicians utilize the proper tools/equipment and take training to correctly and safely maintain Mazda vehicles. These instructions should not be performed by "do-it-yourselfers." Customers should not assume this bulletin applies to their vehicle or that their vehicle will develop the described concern. To determine if the information applies, customers should contact their nearest authorized Mazda dealership. Mazda North American Operations reserves the right to alter the specifications and contents of this bulletin without obligation or advance notice. All rights reserved. No part of this bulletin may be reproduced in any form or by any means, electronic or mechanical---including photocopying and recording and the use of any kind of information storage and retrieval system ---without permission in writing.

SPECIAL SERVICE TOOL (SST) AND USAGE

<p>PART NUMBER / NAME: 49S0-34-205 Support Block</p> <p>APPLICABLE MODELS: 2007-14 CX-9 AWD</p> <p>USAGE: To install the replacement seal for the LH input shaft of the PTO/Transfer Case.</p>	<p>OVERVIEW</p>  <p>2912c SUPPORT BLOCK 49S0-34-205</p>	<p>USAGE</p> <p>Utilized with the Transfer Case Oil Seal Replacement Procedure in the Workshop Manual - Driveline/Axle Section.</p>  <p>2912a SUPPORT BLOCK 49S0-34-205</p>
---	---	--