

TECHNICAL BULLETIN

J027NAS2

07-MAY-13



© Jaguar Land Rover North America, LLC

NOTE: The information in Technical Bulletins is intended for use by trained, professional Technicians with the knowledge, tools, and equipment required to do the job properly and safely. It informs these Technicians of conditions that may occur on some vehicles, or provides information that could assist in proper vehicle service. The procedures should not be performed by 'do-it-yourselfers'. If you are not a Retailer, do not assume that a condition described affects your vehicle. Contact an authorized Jaguar service facility to determine whether this bulletin applies to a specific vehicle.

CHANGES ARE HIGHLIGHTED IN GRAY

SECTION: 310-01C

Safety Recall: Cracked Fuel Tank Fuel Outlet Mounting Flange

AFFECTED VEHICLE RANGE:

XF (X250) 5.0L engine vehicles only

VIN: R36915-S47091

Model Year: 2010-2012

CONDITION SUMMARY:

Situation: A concern has been identified where the fuel tank fuel outlet mounting flange on 5.0L Gasoline engine derivative XF vehicles may crack. If a crack is present in the fuel tank fuel outlet mounting flange, drivers will most likely see an Amber Malfunction Indicator Lamp on the Instrument Cluster (check engine light). The driver may also smell fuel odor and in some circumstances with the vehicle static, there could be liquid fuel underneath the rear of the vehicle, which in the presence of an ignition source could lead to a fire.

⚠ CAUTION: Make sure vehicle has less than three-quarters (3/4) of a tank of fuel before beginning the Repair Procedure.

Action: Retailers are required to before sale **HOLD** all affected vehicles in the above VIN range that are in their control and refrain from releasing the vehicles for new or used vehicle sale pending completion of the rework action detailed in this Technical Bulletin.

PARTS:

PART NO.	DESCRIPTION	QTY.	EXPECTED % OF VEHICLES REQUIRING PART*
C2D25076	Fuel tank fuel outlet mounting flange	1	100
C2Z7361	Gasket	1	100

* when ordering parts, order the expected percentage failure rate of parts identified only

TOOLS:

IDS with latest IDS-DVD and Calibration File

Land Rover-approved Midtronics Vehicle Power Supply

See Workshop Manual / Repair Procedure for any required special tools

WARRANTY:

△ NOTE: Repair procedures are under constant review, and therefore times / prices are subject to change; those quoted here must be taken as guidance only. Always refer to the Repair Times Searcher (RTS) on TOPIx to obtain the latest repair time. Check DDW to ensure that the vehicle is affected by this program prior to undertaking any rework action. At the time of confirming a booking for vehicle repair, ensure that all outstanding Service Actions are identified to ensure the correct parts are available and adequate workshop time is allocated for repairs to be completed at one visit.

Warranty claims must be submitted quoting Program Code 'J027' together with the relevant Option Code from the table. The SRO and part information listed have been included for information only. The Option Code(s) that allows for the drive in / drive out allowance can only be claimed if the vehicle is brought back into the workshop for this action alone to be undertaken.

PROGRAM CODE	OPTION CODE	DESCRIPTION	SRO	TIME (HOURS)	PART No.	QTY. / VALUE
J027	B	Fuel Tank Fuel Outlet Mounting Flange - Renew	19.55.24	0.60	C2D25076 C2Z7361	1 1
		Read and clear DTCs	86.99.78	0.20	-	-
J027	C	Fuel Tank Fuel Outlet Mounting Flange - Renew	19.55.24	0.60	C2D25076 C2Z7361	1 1
		Read and clear DTCs	86.99.78	0.20	-	-
		Drive in / drive out	10.10.10	0.10	-	-

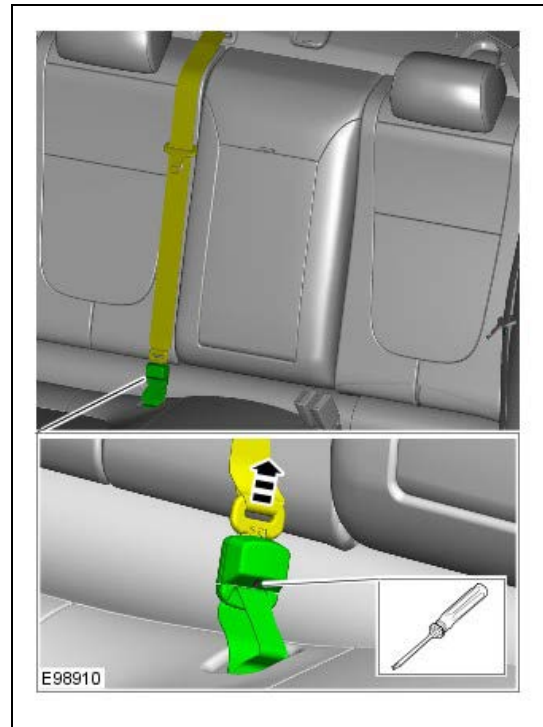
Normal Warranty policies and procedures apply

REPAIR PROCEDURE

- ⚠ WARNING: Place the vehicle in a quarantined area and arrange 'No Smoking/Petrol Fumes' signs about the vehicle. Failure to follow these instructions may result in personal injury.**
- ⚠ WARNING: Before any work is carried out on the fuel system, ground the vehicle to earth and maintain the ground connection until the work is complete. Failure to follow these instructions may result in personal injury.**
- ⚠ WARNING: Do not smoke or carry lighted tobacco or open flame of any type when working on or near any fuel related components. Highly flammable vapors are always present and may ignite. Failure to follow these instructions may result in personal injury.**
- ⚠ WARNING: The fuel system remains pressurized for a long time after the ignition is switched OFF. The fuel pressure must be relieved before attempting any repairs. Failure to follow these instructions may result in personal injury.**
- ⚠ WARNING: After carrying out repairs, the fuel system must be checked visually for leaks. Failure to follow these instructions may result in personal injury.**
- ⚠ WARNING: This procedure involves fuel handling. Be prepared for fuel spillage at all times and always observe fuel handling precautions. Failure to follow these instructions may result in personal injury.**
- ⚠ WARNING: If taken internally, do not induce vomiting, seek immediate medical attention. Failure to follow these instructions may result in personal injury.**
- ⚠ WARNING: If fuel contacts the eyes, flush the eyes with cold water or eyewash solution; seek immediate medical attention. Failure to follow these instructions may result in personal injury.**
- ⚠ CAUTION: Make sure the fuel tank level is three-quarters (3/4) of a tank or less before beginning Repair Procedure.**

1. Make sure fuel tank level is three-quarters (3/4) of a tank or less.
2. **△ NOTE: The fuel pump fuse (F25) is located in the luggage compartment fuse box.**
Carry out a fuel system pressure release (refer to TOPIx Workshop Manual section 310-00).
3. **⚠ CAUTION: Make sure accidental reconnection of the negative battery cable is not possible.**
Disconnect the negative battery cable from the battery (refer to TOPIx Workshop Manual section 414-01).

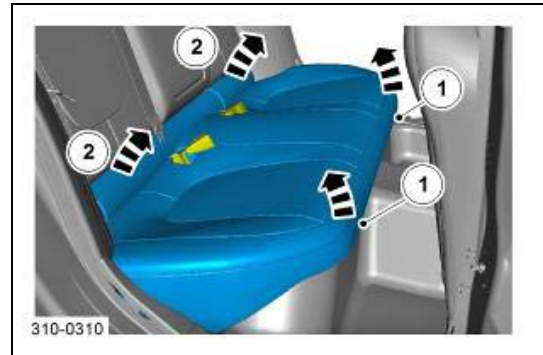
4. Release the rear seat center seatbelt.



5.  **NOTE: Note the installed position to aid installation.**

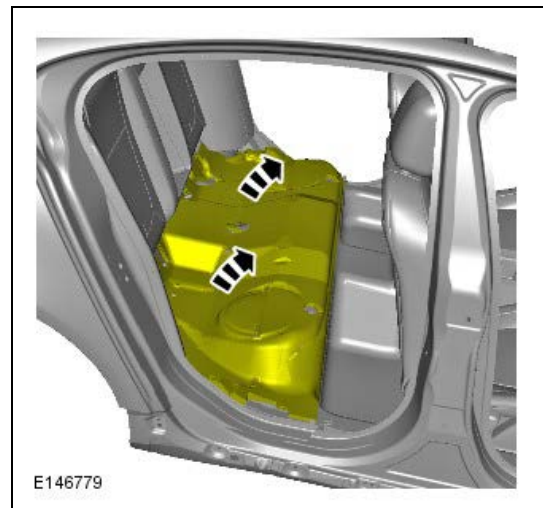
Remove the seat cushion:

- Release the two (2) seat cushion clips.
- Reposition the seat cushion over the seatbelt buckles.

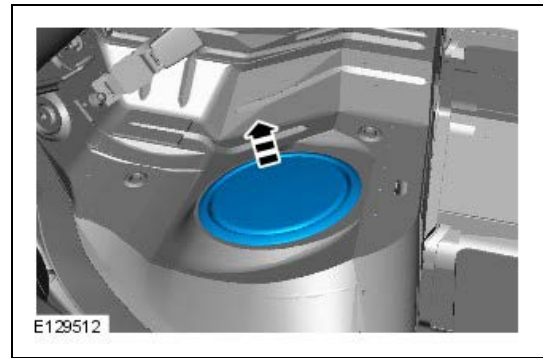


6. Remove both rear scuff plate trim panels (refer to TOPIx Workshop Manual section 501-05).

7. Reposition the rear floor underseat covering.



8. Remove the right-side aperture cover.



⚠ CAUTION: The interior trim of the vehicle will be damaged by contact with fuel. Make sure that the surrounding trim and seats are well protected during the following steps.

9. **⚠ WARNING:** Make sure that the fuel system pressure release is carried out before disconnecting the fuel line. Failure to follow these instructions may result in personal injury.

⚠ WARNING: The spilling of fuel is unavoidable during this operation. Make sure that all necessary precautions are taken to prevent fire and explosion. Failure to follow these instructions may result in personal injury.

⚠ CAUTION: Before disconnecting or removing components, make sure the area around the joint faces and connections are clean. Plug open connections to prevent contamination.

⚠ CAUTION: Make sure that the surrounding area is suitably protected against fuel spillage.

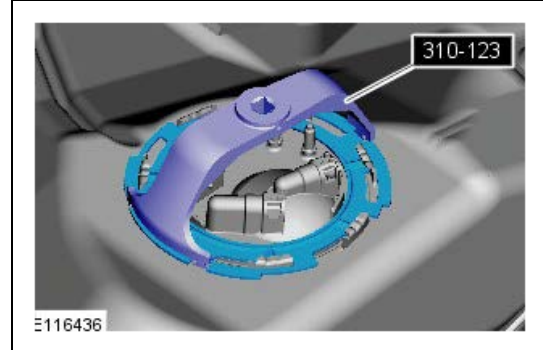
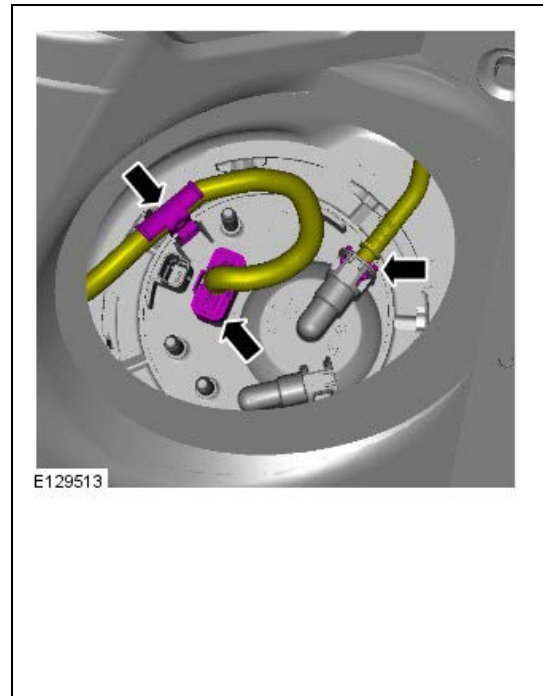
Disconnect the fuel tank connections:


- Disconnect the electrical connector
- Release the wiring harness clip
- Disconnect the fuel pipe
- Remove and discard the clip from the fuel pipe.

10. **⚠ NOTE:** The locking ring may require a sharp jolt to release the locking tangs.

⚠ NOTE: Using a suitable marker, mark the installed position of the locking ring.

Use special tool 310-123 and remove the locking ring.

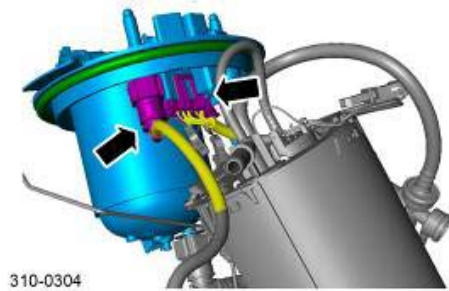
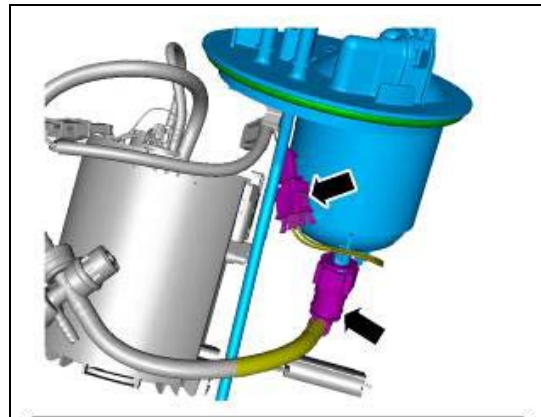


11.  **NOTE: Hold the fuel tank fuel outlet mounting flange above the fuel tank aperture and allow any fuel within the fuel tank fuel outlet mounting flange to drain back in to the tank before attempting to withdraw it through the vehicle interior.**

 **NOTE: Remove and discard the O-ring seal.**

Remove the fuel tank fuel outlet mounting flange.

- Disconnect the two (2) fuel pipes.
- Disconnect the two (2) electrical connectors.




310-0304


12. Remove and discard the blanking plug from the new fuel tank fuel outlet mounting flange.



310-0305

13.  **CAUTION: Make sure that the new O-ring seal is installed to the fuel tank fuel outlet mounting flange; failure to follow this instruction may result in damage to the vehicle.**

 **CAUTION: Make sure the fuel pipe is fully engaged to the fuel tank fuel outlet mounting flange.**

 **CAUTION: Make sure that the fuel tank mounting flange locking ring is fully located when tightened.**

Reverse steps 11 through 3 and install the new fuel tank fuel outlet mounting flange.

- To make sure the fuel pipe is fully engaged to the fuel tank outlet mounting flange, fit pipe to flange and then attempt to 'pull' the pipe off the flange without squeezing the clip in the flange.

14. Install the fuel pump fuse (F25; luggage compartment fuse box).

15. Install the fuel filler cap.

16. Use IDS to read and clear all Diagnostic Trouble Codes (DTC).

17. Refer to the instructions on the Instrument Cluster (IC) to calibrate the Electronic Parking Brake (EPB).