

# TECHNICAL BULLETIN

JTB00275NAS1  
12-DEC-12



## SECTION: 501-00

### Business / Picnic Tray Latch Broken

#### AFFECTED VEHICLE RANGE:

XJ (X351)

VIN: V25520-V44088

Model Year: 2012-2013

#### CONDITION SUMMARY:

**Situation:** The Business / Picnic tray latch may be broken or the tray may not latch closed.

**Cause:** This may be caused by a stress riser on the molding due to an incorrect specification knurled pin.

**Action:** In the event of a customer concern of the above, refer to the Repair Procedure outlined below.

#### PARTS:

C2D13489XXX ..... Picnic tray latch

Qty: 1

#### TOOLS:

Refer to Workshop Manual for any required special tools

#### WARRANTY:

△ **NOTE:** Repair procedures are under constant review, and therefore times are subject to change; those quoted here must be taken as guidance only. Always refer to DDW to obtain the latest repair time.

DDW requires the use of causal part numbers. Labor only claims must show the causal part number with a quantity of zero.

DESCRIPTION	SRO	TIME (HOURS)	CONDITION CODE	CAUSAL PART
Picnic tray latch - Pair - Renew	76.14.16.02	0.20	01	C2D13489

*Normal Warranty policies and procedures apply*

NOTE: The information in Technical Bulletins is intended for use by trained, professional Technicians with the knowledge, tools, and equipment required to do the job properly and safely. It informs these Technicians of conditions that may occur on some vehicles, or provides information that could assist in proper vehicle service. The procedures should not be performed by 'do-it-yourselfers'. If you are not a Retailer, do not assume that a condition described affects your vehicle. Contact an authorized Jaguar service facility to determine whether this bulletin applies to a specific vehicle.

## **REPAIR PROCEDURE**

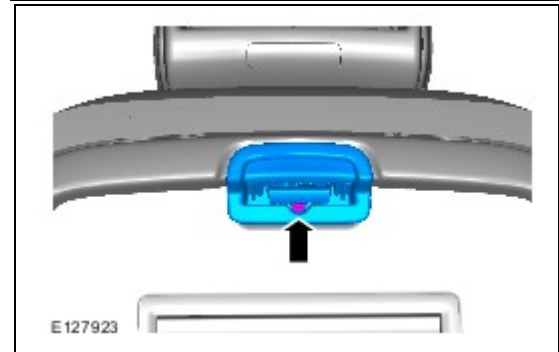
1. Open the business tray.



2. **△ NOTE: If a washer is present behind the business tray latch, it must be installed in the same position on the new latch.**

Remove the business tray latch.

- Remove the fixing.



3. **△ NOTE: Make sure the latch is fully seated prior to installing and tightening the fixing.**

To install, reverse the removal procedure.

4. Carry out steps 1 to 3 to the opposite side business tray latch.