

# Technical Service Bulletin



## 01 MIL on (DTC P2006(00) or P2007(00) stored in ECM)

01 13 11 2033919/6 June 26, 2013. Supersedes Technical Service Bulletin Group 01 number 13-06 dated June 18, 2013 for reasons listed below.

Model(s)	Year	VIN Range	Vehicle-Specific Equipment
A6/A7, S4, S5, S5 Cabrio, Audi Q7, Audi Q5	2013	All	3.0 FSI Engine

## Condition

REVISION HISTORY		
Revision	Date	Purpose
6	-	Revised <i>Service</i> (Replace both actuators)
5	6/18/2013	Revised <i>Required Parts and Tools</i> (Updated quantity)
4	6/7/2013	Revised <i>Service</i> (Removed step regarding calling TAC)
3	5/29/2013	Revised header data (updated engine codes)
2	5/28/2013	Revised <i>Service</i> (Added steps and image)
1	5/16/2013	Initial publication

- MIL on.
- One or both of the following DTCs is stored in the engine control module, J623 (address word 01):
  - **DTC P2006(00)** (Intake Manifold Runner Control Stuck Closed, Bank 1).
  - **DTC P2007(00)** (Intake Manifold Runner Control Stuck Closed, Bank 2).
- There may be slight power reduction at high RPMs.

## Technical Background

One of the vacuum actuators on intake runner bank 1 or bank 2 is defective.

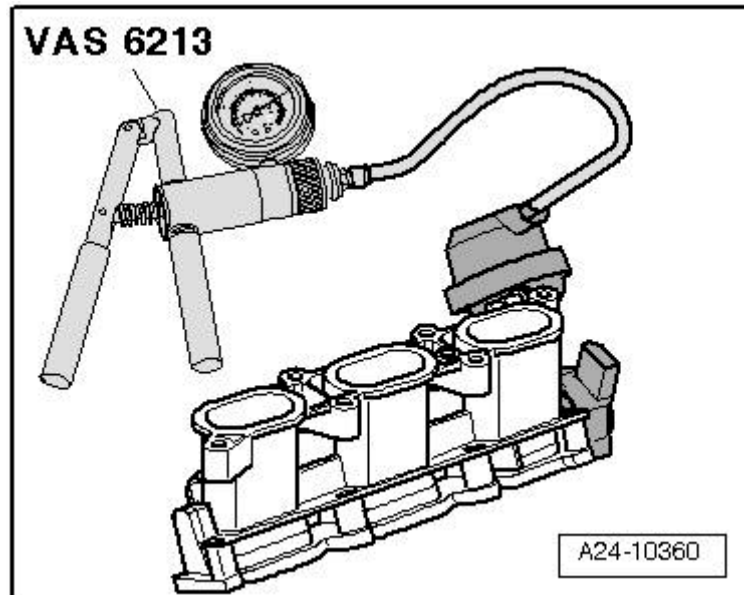
## Production Solution

Updated vacuum actuator.

## Service

1. Ensure that the fault is not caused by a defective vacuum line by using the vacuum pump (Figure 1) to confirm there is no leak in the vacuum supply to the actuators.

The vacuum lines are working correctly if they are able to maintain vacuum while the actuators are disconnected and the lines are plugged up.



*Figure 1. Vacuum pump VAS 6213*

2. After confirming that the fault is not due to defective vacuum lines, replace **both** vacuum actuators (bank 1 and bank 2 actuator). This is to prevent any repeat repairs.

# Technical Service Bulletin



## Warranty

<b>Claim Type:</b>	Use applicable claim type. If vehicle is outside any warranty, this Technical Service Bulletin is informational only.		
<b>Service Number:</b>	2447		
<b>Damage Code:</b>	0010		
<b>Labor Operations:</b>	<b>Compressor remove+reinstall</b>		
	For S4, S5, S5 Cab, and Audi Q5	2114 1941	190 TU
	For A6, A7, and A8	2114 1941	160 TU
	For Audi Q7	2114 1939	160 TU
	<b>Intake runner remove+reinstall, replace both actuators</b>		
	For S4, S5, S5 Cab, and Audi Q5	2447 2091	70 TU
	For A6, A7, and A8	2447 2091	70 TU
	For Audi Q7	2447 2089	70 TU
<b>Diagnostic Time:</b>	GFF	0150 0000	Time stated on diagnostic protocol (max 20 TU)
	Road test prior to service procedure	No allowance	0 TU
	Road test after service procedure	0121 0004	10 TU
	Technical diagnosis at dealer's discretion (Refer to Section 2.2.1.2 and Audi Warranty Online for DADP allowance details)		
<b>Claim Comment:</b>	As per TSB # 2033919/6		

All warranty claims submitted for payment must be in accordance with the *Audi Warranty Policies and Procedures Manual*. Claims are subject to review or audit by Audi Warranty.

## Required Parts and Tools

Part number	Part Description	Quantity
06E133159J	Actuator left	1
06E133159H	Actuator right	1
06E998907D	Repair kit	3
079129717B	Gasket	3
079129717D	Gasket	6
06E103213	Tube	1
G 012A8G1G	Coolant top off	0.3

Tool Number	Tool Description
VAS 6213	Vacuum pump

## Additional Information

All parts and service references provided in this TSB (2033919) are subject to change and/or removal. Always check with your Parts Department and service manuals for the latest information.