



Service Bulletin

File in Section: 03 - Suspension

Bulletin No.: 12-03-10-002A

Date: February, 2014

INFORMATION

Subject: Proper Wheel Installation and Wheel Torque Techniques

Models: 2006-2015 GM Passenger Cars and Light Duty Trucks

This bulletin has been revised to add the 2014-2015 model years. Please discard Corporate Bulletin Number 12-03-10-002.

Some customer may report vibration in the steering wheel or the seat centered at a frequency of 10-14 Hz, between 93-115 km/h (58-72 mph). First order tire/wheel vibration may be misdiagnosed as tire/wheel assembly imbalance or excessive tire Radial Force Variation.

Inappropriate wheel torque methods may cause the wheel and tire assembly to be offset when mounting. This offset causes the mass of the tire and wheel to "orbit" the axis of the hub and creates vibration similar to a tire with high RFV or a tire with an imbalance.

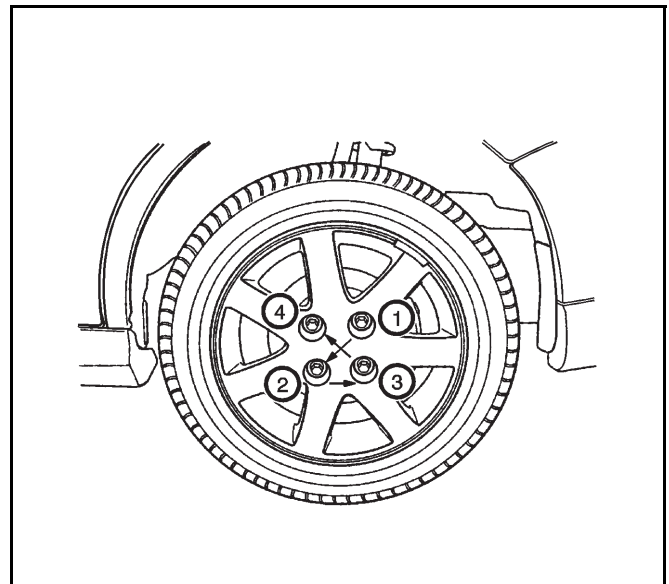
Notice: Improper torque may cause distortion of the brake rotor, and may result in variance in wheel mounting that can cause smooth road shake vibration.

Proper Wheel Installation Information

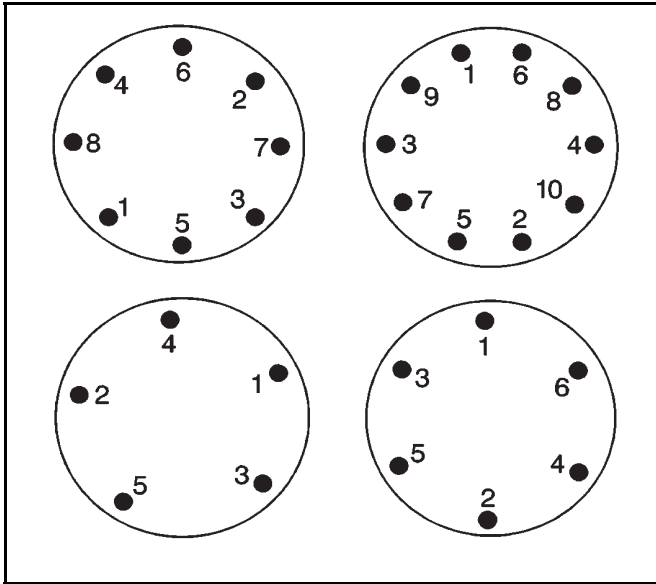
Remove the tire and wheel assemblies from the vehicle. Index them at least two stud positions from the previous position and re-install them. Tighten using an appropriate torque pattern technique in the three steps below. Do not use torque sticks or an impact driver to tighten wheel lug nuts.

Important: Do not use torque sticks or an impact driver to tighten wheel lug nuts.

1. With the wheel off of the ground, install all lug nuts hand tight using only a socket.
2. Snug all lug nuts using a star or "criss-cross" pattern using a hand wrench. Refer to the appropriate illustration for the number of lugs on the wheel being installed.



1255657



156809

3. Lower the vehicle until there is just enough contact to provide resistance to complete torquing to specification with a torque wrench.

