

# Technical Service Bulletin



## 94 Moisture accumulation in headlamps

94 14 44 2028277/11 June 26, 2014. Supersedes Technical Service Bulletin Group 94 number 13-30 dated December 20, 2013 for reasons listed below.

Model(s)	Year	VIN Range	Vehicle-Specific Equipment
Q7	2010 - 2014	All	Not Applicable

## Condition

REVISION HISTORY		
Revision	Date	Purpose
11	-	Revised <i>Warranty</i> (Corrected labor operation)
10	12/20/2013	Revised <i>Service</i> (Clarity) Revised <i>Warranty</i> (Updated labor operations) Revised <i>Required Parts and Tools</i> (Updated part numbers)
9	8/13/2013	Revised <i>Warranty</i> (Updated Labor Operations)
8	7/18/2013	Revised <i>Required Parts and Tools</i> (Added alternate part numbers)
7	7/3/2013	Revised <i>Service</i> (Added sealing ring instructions; removed butyl cord instructions) Revised <i>Required Parts and Tools</i> (Removed butyl cord sealant; added sealing ring)
6	3/6/2013	Revised <i>Service</i> (Added information on vent tube)
5	1/2/2013	Revised <i>Service</i> (Added air duct install) Revised <i>Warranty</i> Revised <i>Required Parts and Tools</i>

- There is considerable moisture present in the headlamp (Figure 1).
- The moisture disappears only after extended drives (greater than 10 minutes).
- There is no external damage to the headlamp which could introduce moisture.



*Figure 1. Moisture in headlamp.*

## Technical Background

Humid air settles on the inside of the glass, causing moisture to appear on the inside of the headlamp lens.

Because of the headlamp circulation system, outside air is allowed to flow through the headlamps. The open, water-protected ventilation system (needed for pressure compensation) creates different “climate zones” inside the headlamp, where the lens is either warmed up by the light or cooled down by passing air.

When high air humidity and temperature differences exist between the inside of the headlamps and the outside, condensation can form on the inside of the lens, especially in cold and wet weather. This moisture buildup can happen, for example, after a car wash, after steam cleaning of the engine or the front end, or after overnight temperature changes.

This condition is more easily visible with headlamps made from clear glass. The moisture is an optical condition which does not affect the headlamp function (light performance) and does not lead to corrosion or damage of the internal headlamp parts.

This condition is common to all exterior vehicle lights, and can occur on every headlamp, fog lamp, or rear lamp.


## Production Solution

- Optimized headlamp ventilation hose placed into production for all xenon headlamps.
- Charge air ducts placed behind intercoolers.

## Service


1. Remove the headlamps and dry the inside using compressed air or a hot air blower. Check for any loose caps, loose or unsealed control modules, or cracks in the headlamp housing(s) as the source of moisture exposure.
2. Vehicles prior to VIN # \*CD004736 were not built with the updated ventilation hoses. If the updated

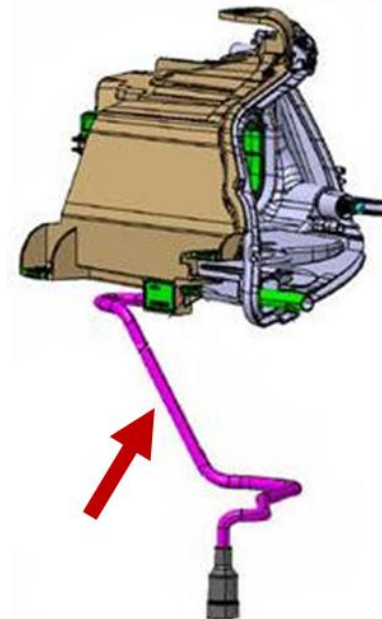
ventilation hoses are not currently installed, replace the headlamp ventilation hose for each headlamp with the new part number to help reduce any further humidity ingress into the headlamps (see *Required Parts and Tools*, below). Proceed to step 3.

 **Tip:** The updated ventilation hose can be recognized by the integrated filter (Figure 2, arrow).



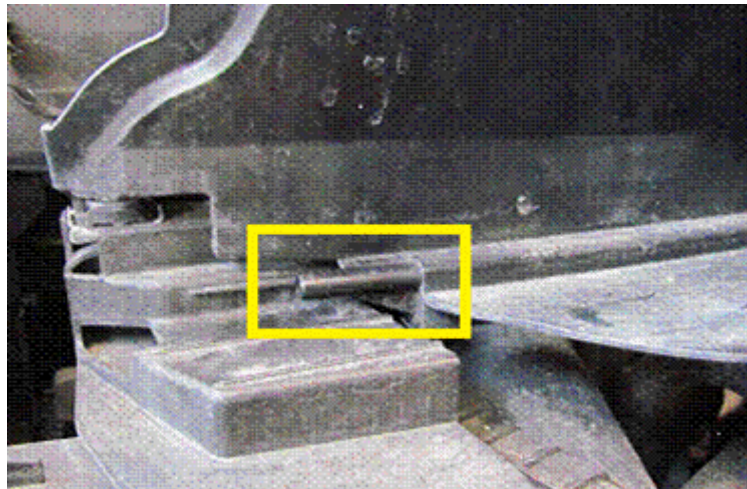
**Figure 2.** Updated ventilation hose with integrated filter.

 **Tip:** The updated ventilation hose is not connected directly to the headlamp housing. The hose routes downward from the headlamp carrier and between the radiator and bumper (Figure 3, arrow).



**Figure 3.** Mounting of updated ventilation hose.

3. Each headlamp air ventilation tube must be sealed to protect against further moisture ingress (Figure 4).



*Figure 4. Headlamp ventilation guide tube.*

4. Install ring seal on headlamp air ventilation tube (Figure 5). The larger diameter of the seal faces the headlamp.



*Figure 5. Ring seal installed on headlamp air tube.*

5. Reinstall headlamps.



**Tip:** If the headlamps were removed after butyl cord or other rubber type of sealant was already applied to air tubes from a prior procedure, remove the old sealant before installing headlamps.

6. Check vehicle for left and right air ducting for exiting air behind charge coolers (3.0 TDI air-air heat exchange) or additional water radiators for charge air cooling (3.0 TFSI water-air heat exchange). Vehicles built from June 2010 will not have these exit air ducts installed. Check vehicle regardless of build date. If air ducts are not installed, continue with steps 7 – 11. Otherwise, proceed to step 12.

7. Remove front wheels and wheel housing liners. The rear of the charge air coolers or additional radiators will be exposed (Figure 6).



**Figure 6.** View of additional radiator with wheel well liner removed.

8. Locate exit air duct attachment hooks on the left and right charge air coolers or additional radiators (Figures 7 and 8).



**Figure 7.** Lower exit air duct attachment point to additional radiator.





**Figure 8.** Upper exit air duct attachment points to additional radiator.

9. Affix left and right exit air ducts (Figure 9).



**Figure 9.** Exit air duct installed.

10. Inspect exit air duct attachment points to be sure that ducts are engaged properly over hooks (Figure 10).



**Figure 10.** View of exit air duct affixed to mounting hook.

11. Reinstall wheel well liners and wheels.
12. Inform the customer that the new ventilation hoses and sealant are only to help reduce the moisture condition, and will not eliminate the condition completely. Moisture in the headlamp lens is normal and can occur even with the improved filtration and ducting. Vehicle may need to be driven at sufficient highway speeds to help aid in clearing out headlamps.

# Technical Service Bulletin



## Warranty

<b>Claim Type:</b>	Use applicable claim type. If vehicle is outside any warranty, this Technical Service Bulletin is informational only.		
<b>Service Number:</b>	9415		
<b>Damage Code:</b>	0010		
<b>Labor Operations:</b>	Remove and reinstall both headlamps	9415 2000	40 TU
	Adjust both headlamps	9415 1600	20 TU
	Modify both headlamps and mounting	9415 5099	40 TU
	Installation of left and right air ducts	6616 2000	90 TU
<b>Diagnostic Time:</b>	GFF – Perform basic settings for headlight adjustment	0150 0000	Time stated on diagnostic protocol (Max 30 TU)
	Road test prior to service procedure	No allowance	0 TU
	Road test after service procedure	No allowance	0 TU
	Technical diagnosis at dealer's discretion (Refer to Section 2.2.1.2 and Audi Warranty Online for DADP allowance details)		
<b>Claim Comment:</b>	As per TSB #2028277/11		

All warranty claims submitted for payment must be in accordance with the *Audi Warranty Policies and Procedures Manual*. Claims are subject to review or audit by Audi Warranty.



## Required Parts and Tools

Part Number	Part Description	Quantity
4L0941717A	Left Headlamp Ventilation Hose	1 (if necessary)
4L0941718A	Right Headlamp Ventilation Hose	1 (if necessary)
4L0941123	Sealing Ring	2
7P5117339D (if not available, use 7L0117339)	Left charge air cooler exit duct, 3.0TFSI	1 (if necessary)
7P0117340 (if not available, use 7L0117340)	Right charge air cooler exit duct, 3.0TFSI	1 (if necessary)
7L0117339	Left charge air cooler exit duct, 3.0TDI	1 (if necessary)
7L0117340	Right charge air cooler exit duct, 3.0TDI	1 (if necessary)

## Additional Information

The following Technical Service Bulletin(s) will be necessary to complete this procedure:

- TSB 2012749, *94 Exterior lights, moisture accumulation*

All parts and service references provided in this TSB (2028277) are subject to change and/or removal. Always check with your Parts Department and service manuals for the latest information.