



Date	Group	No.	Release	Page
10.2015	364	861	01	1(11)

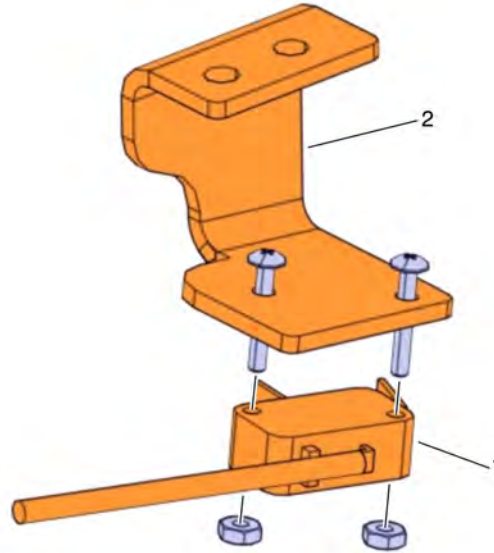
Clutch Pedal Micro Switch, Replacement
CHU, CXU, GU, TD

PI0861, Clutch Pedal Micro Switch, Replacement

(October 2015)

On Certain MACK CHU, CXU, GU, and TD Trucks built between 07/06/2009 through 09/26/2014, equipped with "Engine Start Condition, Clutch Pedal Fully Depressed" feature and has a relay center Electronic Power Distribution Module (EPDM) gasket (part number 82732384) installed, may experience interference between the clutch pedal micro switch and EPDM gasket. To prevent interference between the clutch pedal micro switch and the EPDM gasket, replacement of the clutch pedal micro switch and micro switch mounting bracket is required. Follow the replacement procedure outlined in this PI (Product Improvement).

Note: This bulletin does not apply to MACK Trucks Australia.



W3105826

Required Parts

To order parts call (877) 986-5862. The Vehicle Identification Number (VIN) is required for ordering parts.

Clutch Pedal Micro Switch Replacement Parts			
Item #	Description	Part Number	Qty
1	Clutch Pedal Micro Switch	22668899	1
2	Bracket, Clutch SW E	84701803	1

Clutch Pedal Micro Switch Replacement procedure:

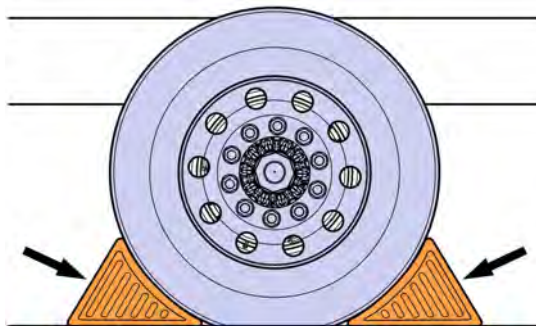
You must read and understand the precautions and guidelines in Service Information, group 30, "General Safety Practices, Electrical" before performing this procedure. If you are not properly trained and certified in this procedure, ask your supervisor for training before you perform it.

DANGER

Do not attempt to repair or service this vehicle without having sufficient training, the correct service literature and the proper tools. Failure to follow this could make the vehicle unsafe and lead to serious personal injury or death.

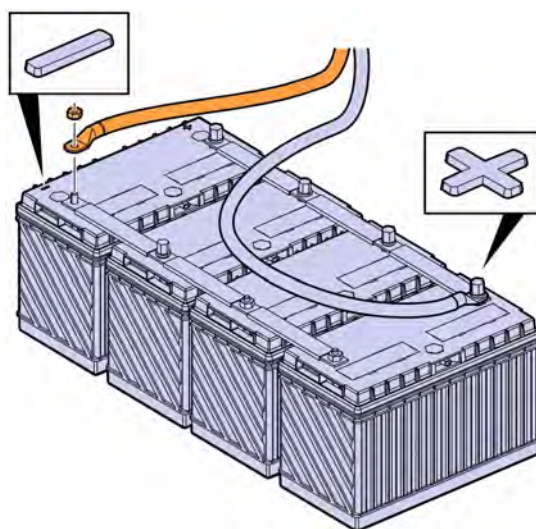
- 1 Park the vehicle on a level surface.
- 2 Apply the parking brake.
- 3 Place the transmission in neutral or park.

4 Install the wheel chocks.



W7086748

5 Disconnect the cable from the battery's negative terminal.

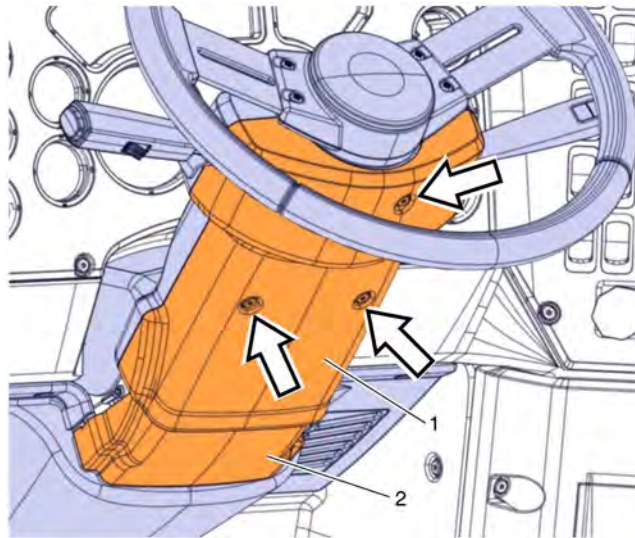


W3086747

6 Remove the fasteners securing the steering column cover.

Note: Store the fasteners for reuse.

7 Remove the steering column covers (1) and (2).

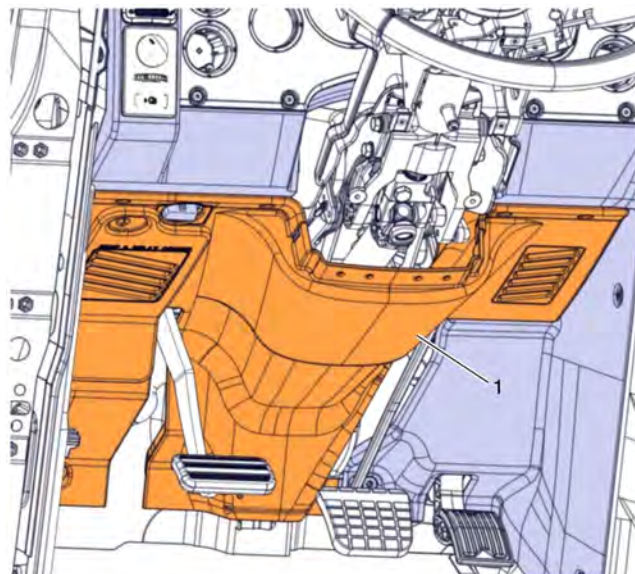


W3105827

8 Remove the fasteners securing the lower dash panel (1) left side.

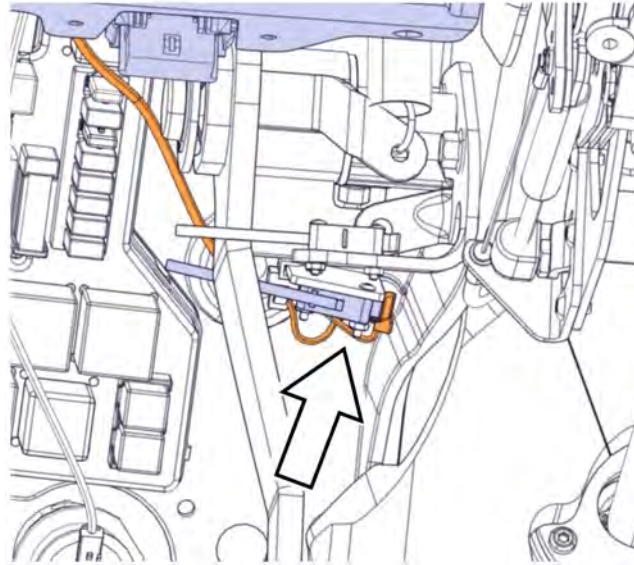
Note: Store the fasteners for reuse.

9 Remove the lower dash panel.



W3105828

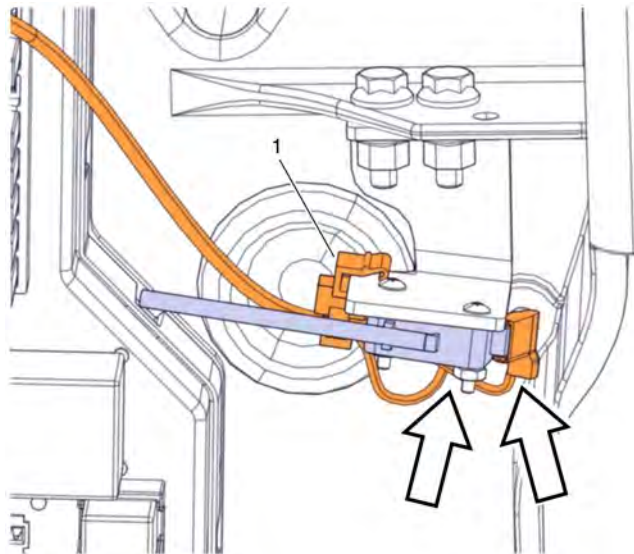
10 Locate the clutch pedal micro switch.



W3105829

11 Disconnect the harness wires from the clutch switch.

12 Remove the harness retainer (1) from the mounting bracket.

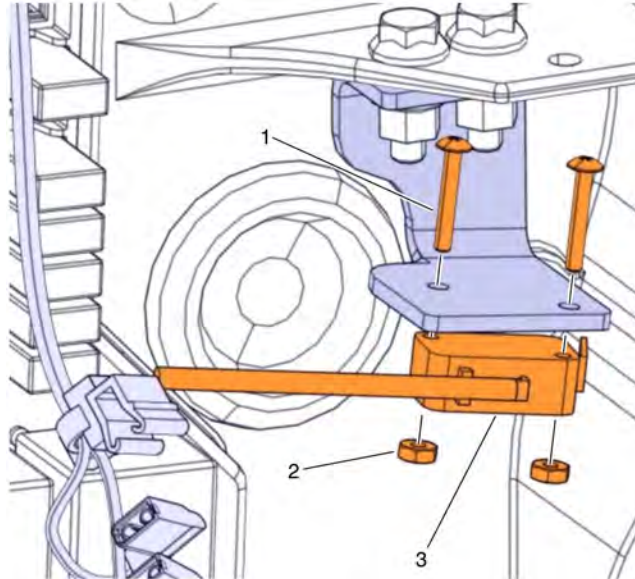


W3105830

13 Remove the fasteners (1) and (2) securing the clutch pedal micro switch (3) to the mounting bracket.

Note: Store the fasteners for reuse during installation.

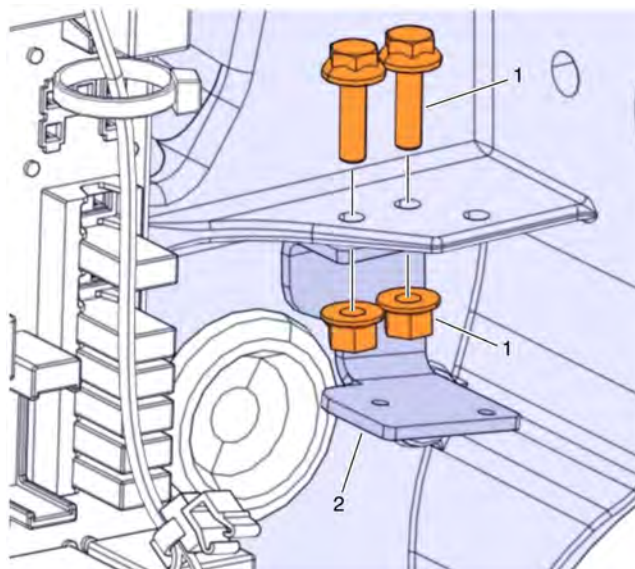
14 Remove the clutch pedal micro switch (3) from the mounting bracket and discard.



W3105831

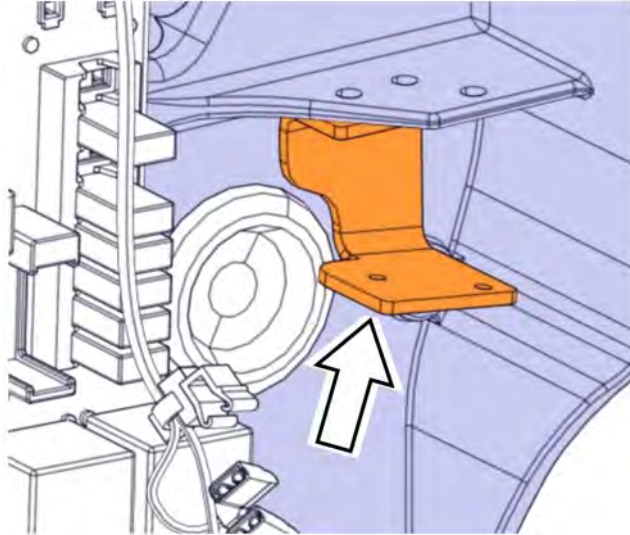
15 Remove the fasteners (1) securing the mounting bracket (2) to the driver control module bracket.

Note: Store the fasteners for reuse during installation.



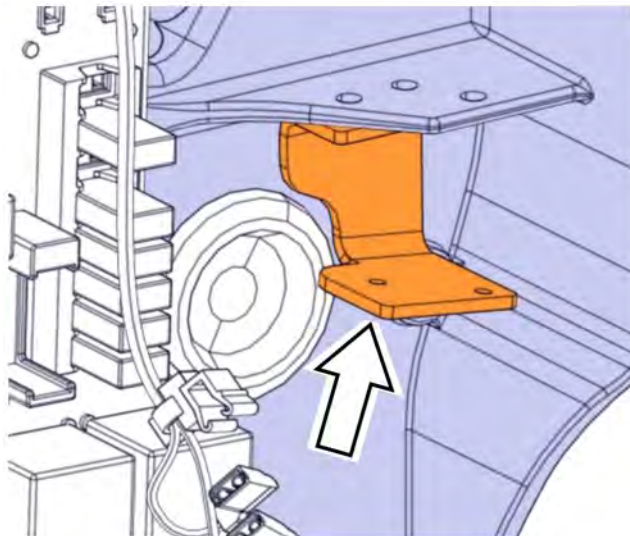
W3105832

16 Remove the mounting bracket.



W3105833

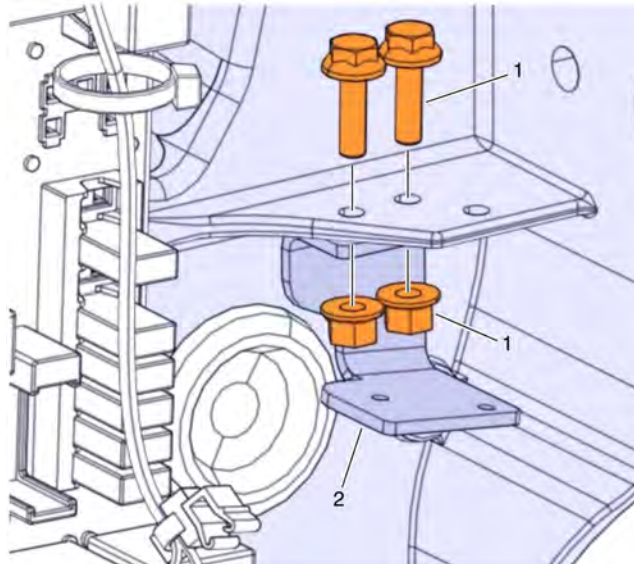
17 Position the new micro switch mounting bracket (part number 84701803) on the driver control module bracket as shown in the figure below.



W3105833

18 Using the stored fasteners (1), secure the micro switch mounting bracket (2).

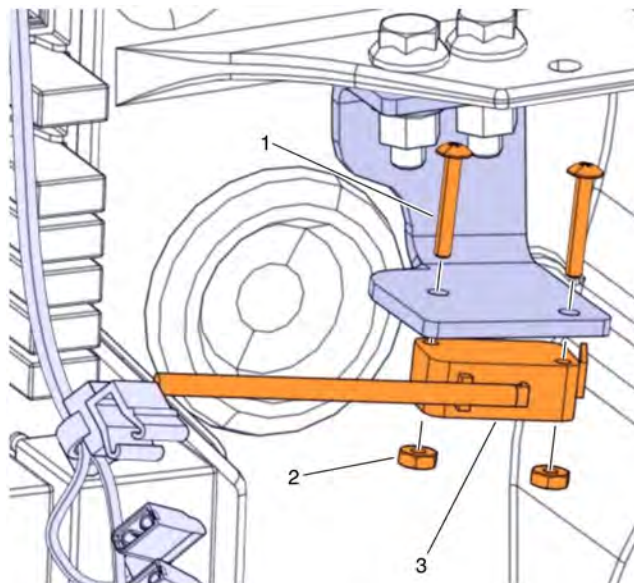
19 Using hand tools, tighten the fasteners to 10 ± 1.5 Nm (88 ± 13 in-lb).



W3105832

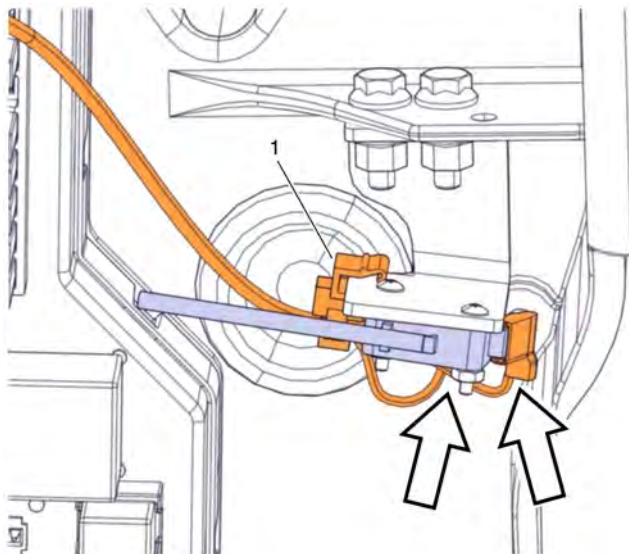
20 Position the new (part number 22668899) clutch pedal micro switch (3) on the mounting bracket and install the stored fasteners (1) and (2).

21 Using hand tools, hand tighten the fasteners.



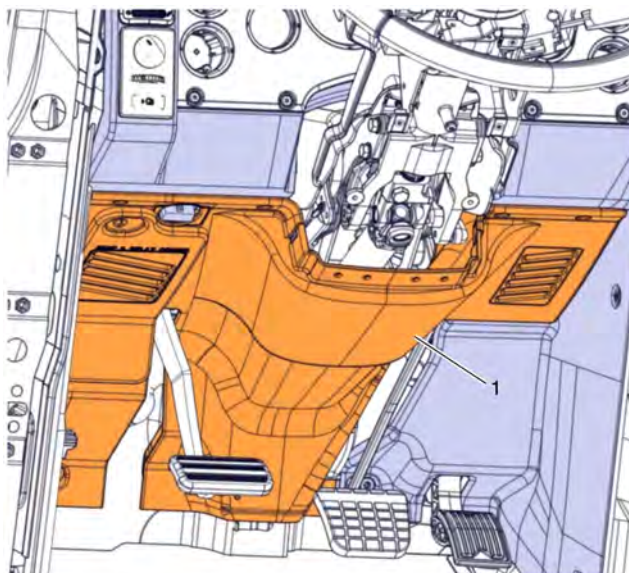
W3105831

22 Connect the harness wires to the replacement clutch pedal micro switch and secure harness with retainer (1).



W3105830

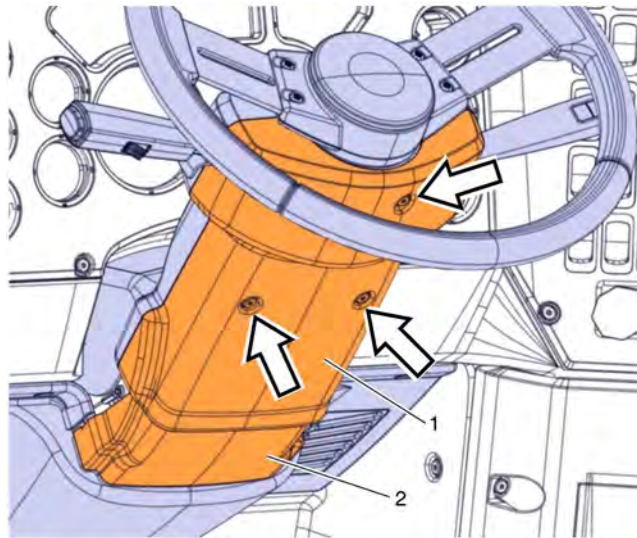
23 Position the lower dash panel (1) left side, and install the stored fasteners.
24 Using hand tools, hand tighten the fasteners securing the lower dash panel.



W3105828

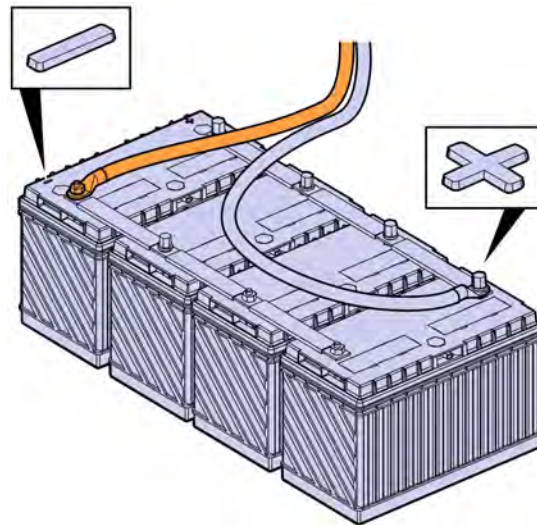
- 25 Position the steering column covers (1) and (2).
26 Using the stored fasteners, secure the steering column covers.

Note: Use hand tools to tighten the fasteners.



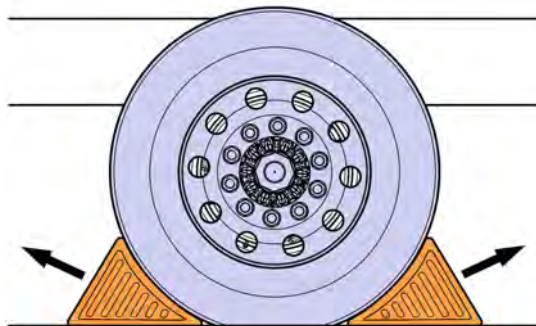
W3105827

- 27 Connect the cable to the battery's negative terminal.



W3086758

28 Remove the wheel chocks.



W7086759

Reimbursement

This repair is covered by an authorized Service Program. Reimbursement is obtained through the normal claim handling process.	UCHP Reimbursement	eWarranty Reimbursement
Claim Type (used only when uploading from the Dealer Bus. Sys.)	B	B
Recall Status		
Vehicle inspected, repair not required	1- Inspected OK	1- Inspected OK
Vehicle repaired per instruction	2- Modified per instruction	2- Modified per instruction
Labor Code		
Primary Labor Code (Clutch Pedal Micro Switch, Replacement)	3646-03-09-01 0.6 hrs	7265A-01-96 0.6 hrs.
Time to take charge and determine campaign status	1700-16-01-01 0.3 hrs	101AA-0A-00 0.3 hrs
Causal Part	82274560	82274560
SCC Code	S6953	N/A
Authorization Number	N/A	PI0861
Expiration Date	01-OCT-2016	01-OCT-2016

Note: Take Charge Time is not included in the Labor Code for this operation. Take charge may be eligible but can only be used once per repair visit. If vehicle is having other warranty repairs performed, take charge should be charged to the warranty repair, otherwise take charge can be charged to this service program.