



Service Bulletin

File in Section: -

Bulletin No.: 15-NA-013

Date: October, 2015

TECHNICAL

Subject: Exterior Lighting Inoperative - Incorrect Upfitter BCM Connections

Attention: This Bulletin also applies to any models that may be Export vehicles.

Brand:	Model:	Model Year:		VIN:		Engine:	Transmission:
		from	to	from	to		
Chevrolet, GMC	Express, Savana	2008	2016	N/A	N/A	All	All

Condition	Exterior lighting functions inoperative, such as high/low beam headlamps, hazard lamps, park lamps and stop lamps.
Cause	Monitoring connections incorrectly installed by upfitter.

Correction

If monitoring of park brake or door open signals, this must be accomplished by use of a passive serial data monitoring device or by installation of isolation relay.

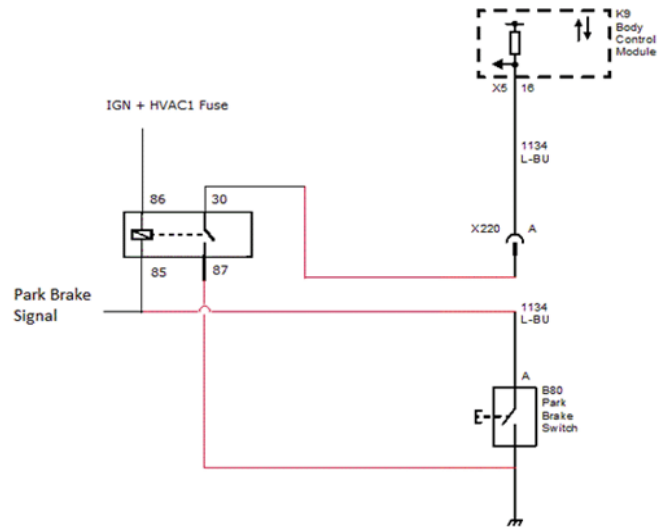
Correct the monitoring condition by installing relays or a passive serial data monitoring module.

Replace the BCM.

Refer to latest version of Bulletin Number 08-08-45-004: *Installation of Electrical Aftermarket Accessories-Battery, Ignition and Ground Feeds-Do Not Splice into Wiring Harness (Install Diode to Solenoid/Relay to Suppress Voltage Spikes)* in SI.

If the vehicle develops the above stated condition, return the vehicle to the upfitter to have monitoring systems removed (only if safe to drive). Do not drive the vehicle if stop lamps or turn signals are inoperative. Make transportation arrangements.

Refer to Bulletin 128 at GM Upfitter Integration website <https://www.gmupfitter.com/pages/technical-bulletins>. Click on "Show all Bulletins."



4277033

Note: With this modification, the BCM input (1134 wire) will be switched by the relay contacts such that no risk is presented to the BCM. The actual park brake switch will provide a signal that can be easily monitored or used to close a (small) relay.

Parts Information

Description	Part Number
Body Control Module	22915542

Warranty Information

The removal of the monitoring systems and replacement of the BCM *will not be covered* under the vehicle warranty. This will be at the customer's expense.

Version	1
Modified	

