



---

# SERVICE BULLETIN

---

Classification:

BT15-024

Reference:

NTB16-042

Date:

April 12, 2016

---

## 2014-2015 TAXI; SLIDE DOOR WINDOW LATCH ASSEMBLY SERVICE INFORMATION

**APPLIED VEHICLES:** 2014-2015 Taxi

### SERVICE INFORMATION

The slide door window latch assembly for the applied vehicles listed above is now available as a service part. If a slide door window latch assembly on an applied vehicle is being replaced for any reason, refer to **SERVICE PROCEDURE** starting on page 2 for replacement procedure.

Nissan Bulletins are intended for use by qualified technicians, not 'do-it-yourselfers'. Qualified technicians are properly trained individuals who have the equipment, tools, safety instruction, and know-how to do a job properly and safely. **NOTE:** If you believe that a described condition may apply to a particular vehicle, DO NOT assume that it does. See your Nissan dealer to determine if this applies to your vehicle.

## SERVICE PROCEDURE

### Remove Slide Door Window Latch Assembly

1. Using a suitable tool, remove the upper and lower slide door window stops, and then slide out the slide door window (see Figure 1).

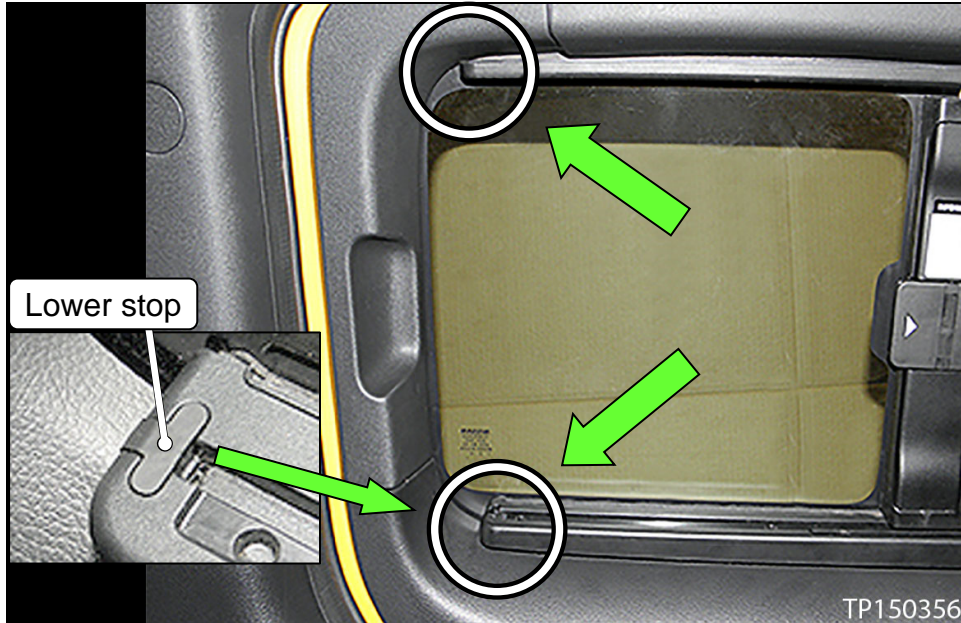


Figure 1

2. Using a suitable trim tool, remove the slide window latch finishers.

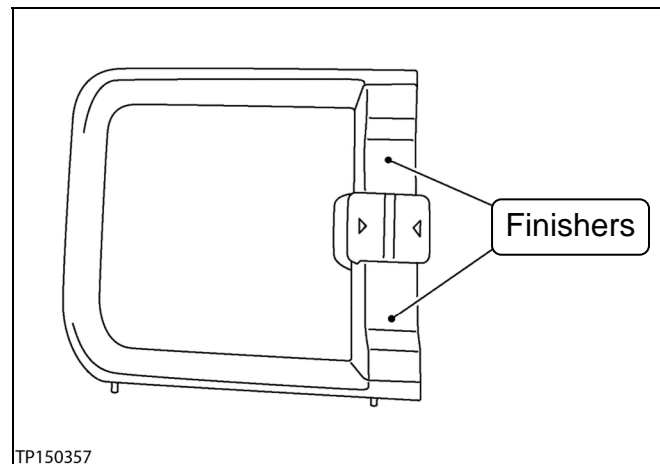


Figure 2

3. Remove the latch handle:
  - a. Push down on the latch pin, far enough to be able to tilt the top end of the latch handle.
  - b. Carefully tilt the top end of the latch handle away from the window, and then push the latch pin upward.
 

**WARNING:** Do not completely remove the latch pin. It also holds a spring.

**CAUTION:** Do not tilt the latch more than necessary.
  - c. Remove the latch handle by pulling up.

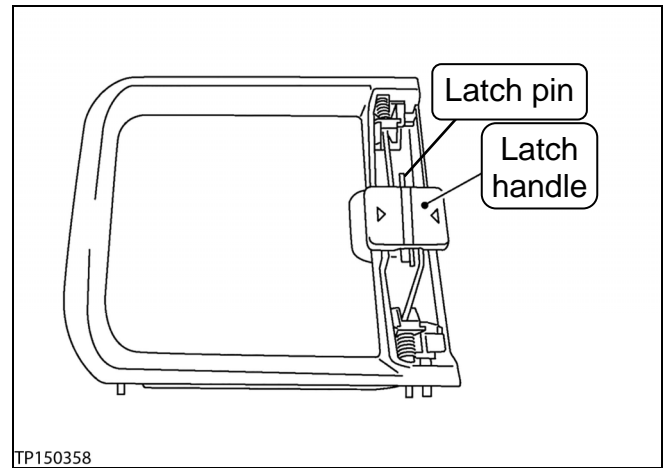


Figure 3

4. Depress each spring with a suitable tool, and then remove the latch rod spring retainers, one at a time.

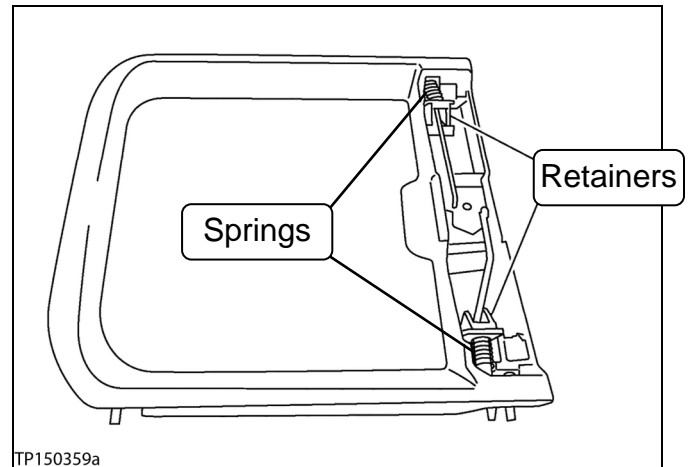


Figure 4

5. Using a suitable tool, release the latch rods from the cam, and then remove the latch rods and latch rod cam.

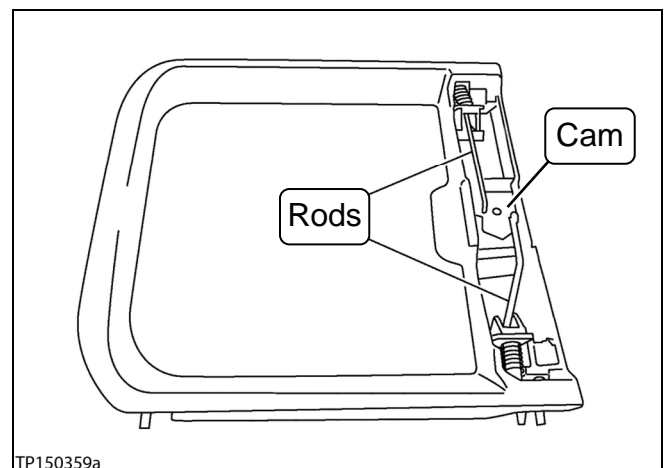


Figure 5

## Install Slide Door Window Latch

1. Install the slide door window latch assembly in reverse order of removal.

**NOTE:** For installation, the springs will need to be compressed in order to properly reinsert the latch rod retainers.

## PARTS INFORMATION

DESCRIPTION	PART NUMBER	QUANTITY
KNOB-SIDE DOOR WINDOW (Latch rods and cam assembly)	82345-3LN0B*	1

\* This part number is the same for both sides of the vehicle. One latch per order.

## CLAIMS INFORMATION

Submit a Primary Part (PP) type line claim using the following claims coding:

DESCRIPTION	PFP	OP CODE	SYM	DIA	FRT
RPL Slide Door Window Latch	(1)	US64AA	(2)	(2)	(3)

- (1) Reference the Parts Information table and use the indicated Part number as the PFP.
- (2) Use the Symptom and Diagnostic codes that apply to the repair actually performed.
- (3) Reference the current Nissan Warranty Flat Rate Manual and use the indicated FRT.

