

Technical Service Bulletin Number TSB130113	Revision Level	Date	Group Number
--	----------------	------	--------------



Technical Service Bulletin

Subject

ISX12 CM2350 X102 and ISX15 CM2350 X101 Fault Code 4585 After Calibration

Issue

A population of ISX12 CM2350 X102 and ISX15 CM2350 engines do **not** have a compatible aftertreatment selective catalyst reduction (SCR) temperature sensor module. Fault Code 4585 is a diagnostic that runs continuously for the first 50 hours of Engine Run Time to verify calibration and SCR compatibility. When units calibrate the engine control module (ECM) to a calibration released after 21 June 2013, it requires a compatible SCR catalyst. If the unit does **not** have the compatible aftertreatment SCR temperature sensor module with the new calibration, Fault Code 4585 could become active.

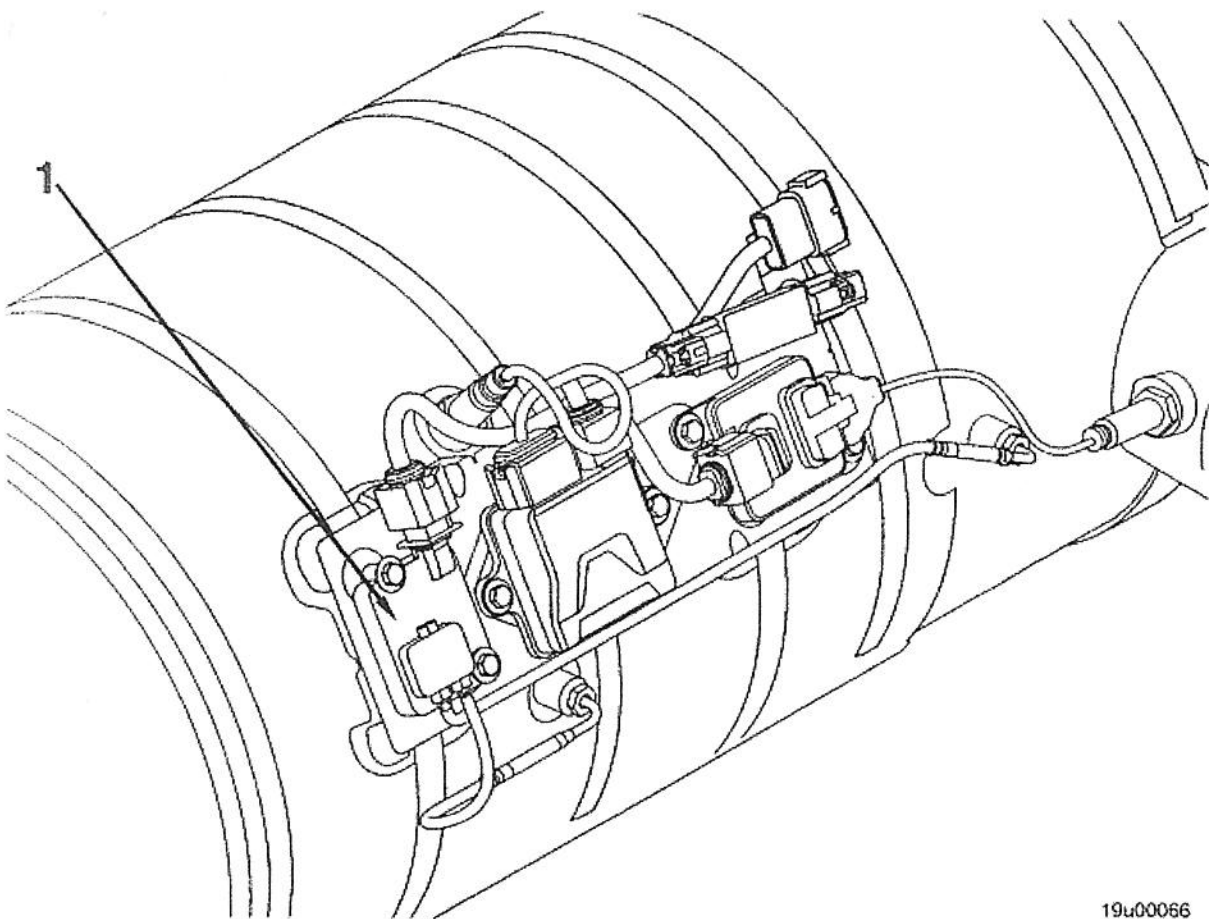
Verification

When the unit has Fault Code 4585 active, it **must** be verified that a compatible SCR is installed.

Resolution

To clear the active Fault Code 4585, a new aftertreatment SCR temperature sensor module, Part Number 4307100, **must** be installed.

NOTE: This is the same part number that is currently on the module. The aftertreatment SCR temperature sensor module (1) is shown below:



19u00066

Warranty Statement

The information in this document has no effect on present warranty coverage or repair practices, nor does it authorize TRP or Campaign actions.

Document History

Date	Details
2013-7-29	Module Created

Last Modified: 08-Aug-2013
