

March 18, 2016

02945 Version 1

MIL Comes On with DTC P0335 and/or P0339

AFFECTED VEHICLES

| Year | Model | Trim | VIN Range |
|---------|--------|----------------------|---|
| 2013–15 | Accord | All L4 except Hybrid | ALL |
| 2016 | Accord | 2dr L4 | 1HGCT1...GA [REDACTED] thru 1HGCT1...GA [REDACTED] |
| 2016 | Accord | 4dr L4 | 1HGCR2...GA [REDACTED] thru 1HGCR2...GA1 [REDACTED] |
| 2015 | CR-V | All | ALL |
| 2016 | CR-V | 2WD | 2HKRM3...GH [REDACTED] thru 2HKRM3...GH [REDACTED] |
| 2016 | CR-V | 2WD | 3CZRM3...GG [REDACTED] thru CZRM3...GG [REDACTED] |
| 2016 | CR-V | 2WD | 5J6RM3...GL [REDACTED] thru 5J6RM3...GL [REDACTED] |
| 2016 | CR-V | AWD | 5J6RM4...GL [REDACTED] thru 5J6RM4...GL [REDACTED] |
| 2016 | CR-V | AWD | 2HKRM4...GH [REDACTED] thru 2HKRM4...GH [REDACTED] |

SYMPTOM

The MIL is on with DTC P0335 (CKP sensor no signal) and or P0339 (CKP sensor circuit intermittent interruption).

POSSIBLE CAUSES

There is corrosion between the engine wire harness and the CKP sensor connector.

CORRECTIVE ACTION

Replace the engine wire harness and the CKP sensor.

PARTS INFORMATION

| Part Name | Part Number | Quantity |
|---|---------------|----------|
| Crank Sensor | 37500-R60-U01 | 1 |
| O-Ring | 91333-PNC-006 | 1 |
| Intake Manifold Gasket A | 17115-5A2-A01 | 4 |
| Engine Wire Harness (CR-V) | 32110-5LA-405 | 1 |
| Engine Wire Harness (2013 Accord 2.4L M/T) | 32110-5A2-305 | 1 |
| Engine Wire Harness (2013 Accord 2.4L CVT) | 32110-5A2-405 | 1 |
| Engine Wire Harness (2014–16 Accord 2.4L M/T) | 32110-5A2-306 | 1 |
| Engine Wire Harness (2014–16 Accord 2.4L CVT) | 32110-5A2-406 | 1 |

CUSTOMER INFORMATION: The information in this bulletin is intended for use only by skilled technicians who have the proper tools, equipment, and training to correctly and safely maintain your vehicle. These procedures should not be attempted by “do-it-yourselfers,” and you should not assume this bulletin applies to your vehicle, or that your vehicle has the condition described. To determine whether this information applies, contact an authorized Honda automobile dealer.

WARRANTY CLAIM INFORMATION

The normal warranty applies.

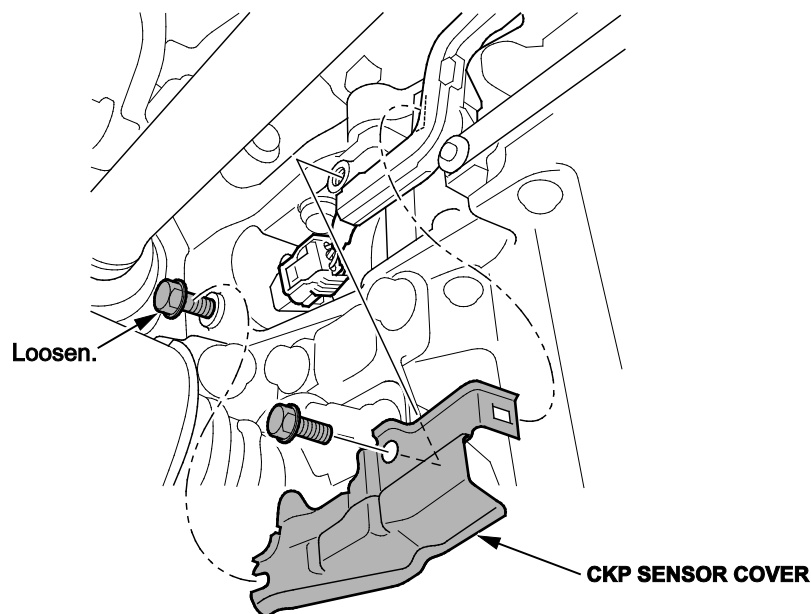
| Operation Number | Description | Flat Rate Time | Defect Code | Symptom Code | Template ID | Failed Part Number |
|------------------|--|----------------|-------------|--------------|-------------|--------------------|
| 7371BT | Replace the engine harness and the CKP sensor (2015–16 CR-V). | 3.2 hrs | 00801 | 03203 | 16-011A | 32110-5LA-405 |
| 7371BT | Replace the engine harness and the CKP sensor (2013 Accord 2.4L M/T) | 2.1 hrs | | | 16-011B | 32110-5A2-405 |
| 7371BT | Replace the engine harness and the CKP sensor (2013 Accord 2.4L CVT). | 2.1 hrs | | | 16-011C | |
| 7371BT | Replace the engine harness and the CKP sensor (2014–16 Accord 2.4L M/T). | 2.1 hrs | | | 16-011D | |
| 7371BT | Replace the engine harness and the CKP sensor (2014–16 Accord 2.4L CVT) | 2.1 hrs | | | 16-011E | |

Skill Level: Repair Technician

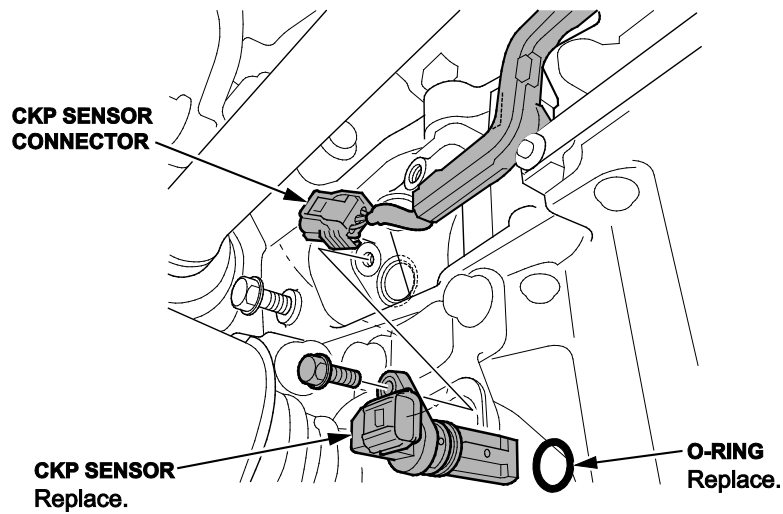
REPAIR PROCEDURE

The following service information procedures have been used in full or in part within this service bulletin. For more detail on these procedures and torque specifications, refer to the service information.

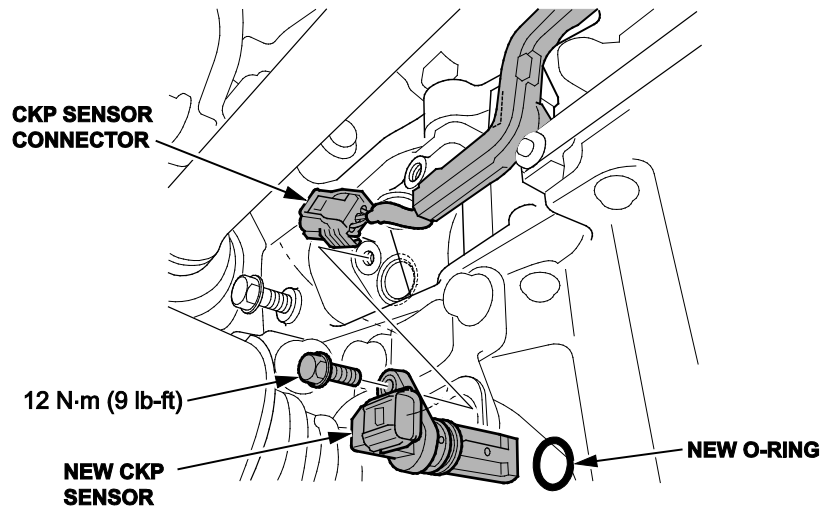
- Remove the air intake tube.
 - Remove the air intake box.
 - Remove the intake manifold.
 - Remove the battery.
 - Remove the battery base.
1. Loosen the bolt, then remove the second bolt and the CKP sensor cover.



2. Disconnect the CKP sensor connector.

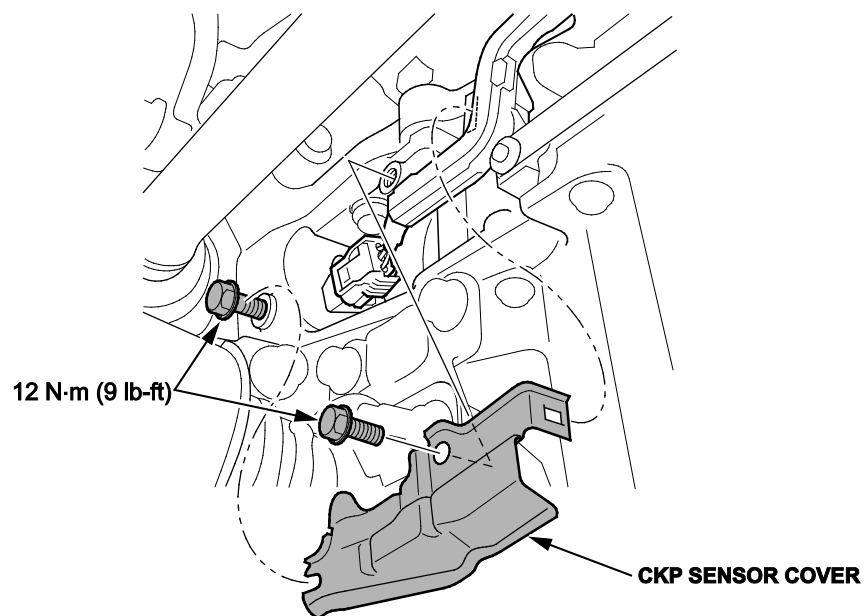


3. Remove the CKP sensor.
4. Replace the engine wire harness with the new harness. To replace the engine wire harness remove the following components:
 - Air intake tube
 - Air intake box
 - Intake manifold
 - Battery
 - Battery base
5. Install the new CKP sensor with a new O-ring.



6. Connect the CKP sensor connector.

7. Install the CKP sensor cover.



8. Replace all removed parts in the reverse order of removal.
9. Do the CKP pattern clear/CKP pattern learn procedure.

END