

| |
|--|
| Technical Service Bulletin Number |
|--|

| |
|-----------|
| TSB140141 |
|-----------|



Technical Service Bulletin

Subject

Exhaust Gas Recirculation (EGR) Cooler Connection Adapter Exhaust Outlet Tube

Warranty Statement

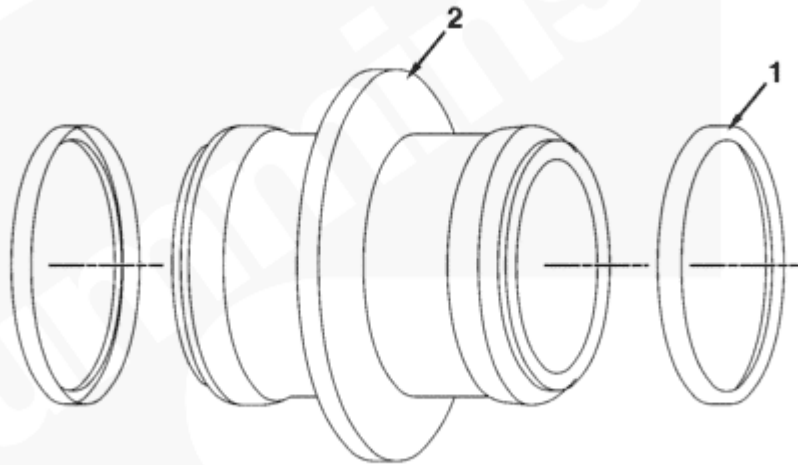
The information in this document has no effect on present warranty coverage or repair practices, nor does it authorize TRP or Campaign actions.

Contents

This document addresses the ISX12 CM2350 X102 and ISX15 CM2350 X 101 engines equipped with Exhaust Outlet Pipe Assembly, Cummins® Part Number 3689355. The exhaust outlet tube part numbers for this option are: Cummins® Part Numbers 3688486 and 3683940. If a leak of the joint between the exhaust outlet pipe and the exhaust manifold or a leak between the EGR cooler and exhaust outlet pipe occurs, **only** replace the exhaust outlet pipe assembly, Cummins® Part Number 3689355. Do **not** replace the exhaust manifold seals. Use the following procedures for directions on removal and installation of the adapter. [Refer to Procedure 011-024 in Section 11 for the ISX12 CM2350 X102 Service Manual, Bulletin 4310646.](#) [Refer to Procedure 011-024 in Section 11 for the ISX15 CM2350 X101 Service Manual, Bulletin 4310641.](#)

| Reference Number | Item Number | Quantity | Item Name |
|------------------|-------------|----------|-------------------------------|
| 1 | 3683940 | 2 | Seal, Exhaust Manifold |
| 2 | 3688486 | 1 | Pipe, Exhaust Outlet |
| Assembly | 3689355 | 1 | Assembly, Exhaust Outlet Pipe |

©Cummins Inc



11/00061

Document History

| Date | Details |
|-----------|----------------|
| 2014-9-30 | Module Created |

Last Modified: 25-Nov-2014

Copyright © 2000-2010 Cummins Inc. All rights reserved.