

- ATTENTION:**
- GENERAL MANAGER
 - PARTS MANAGER
 - CLAIMS PERSONNEL
 - SERVICE MANAGER

IMPORTANT - All Service Personnel Should Read and Initial in the boxes provided, right.

© 2015 Subaru of America, Inc. All rights reserved.



QUALITY DRIVEN® SERVICE

SERVICE BULLETIN

APPLICABILITY: 2015-2016MY WRX and STI Models
2013-2016MY BRZ

NUMBER: 12-190-15R

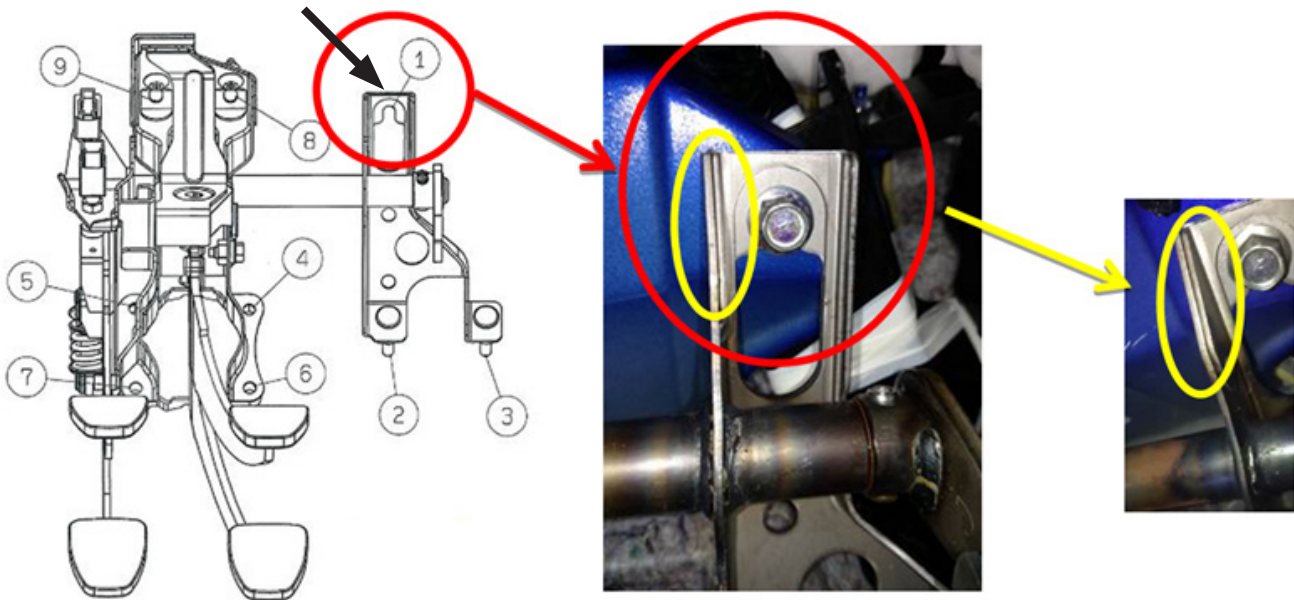
DATE: 10/14/15

SUBJECT: Elimination of Creaking Sound from Clutch Pedal Assembly

REVISED: 10/30/15

INTRODUCTION

This bulletin provides a procedure to address customer concerns of a creaking sound heard when operating the clutch pedal. The cause of the sound has been identified as a very slight amount of movement between the 2 layers of metal (circled in yellow) which form the specific clutch and brake pedal assembly mounting bracket shown in the illustration and photos below.



PART INFORMATION

DESCRIPTION	PART NUMBER	APPLICATION
PEDAL ASSY BRAKE & CLUTCH	36004VA010	WRX
	36004VA000	STI
	36004CA010	BRZ
CLEVIS PIN	905200017 (qty. 2 required)	

Continued...

CAUTION: VEHICLE SERVICING PERFORMED BY UNTRAINED PERSONS COULD RESULT IN SERIOUS INJURY TO THOSE PERSONS OR TO OTHERS.

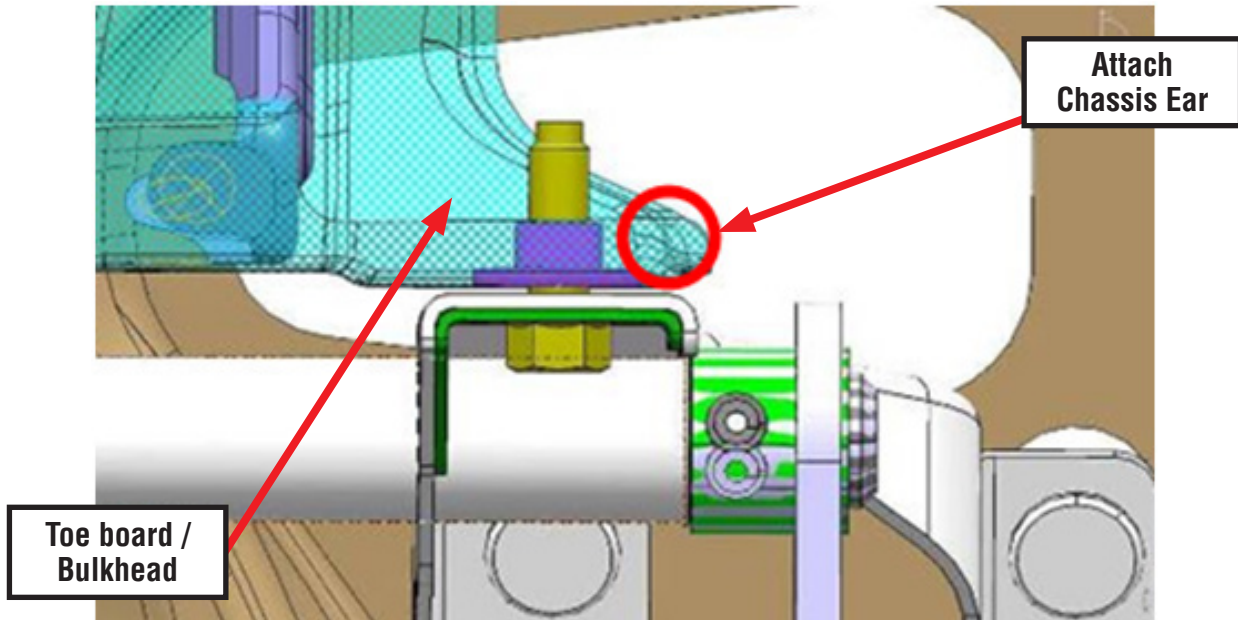
Subaru Service Bulletins are intended for use by professional technicians ONLY. They are written to inform those technicians of conditions that may occur in some vehicles, or to provide information that could assist in the proper servicing of the vehicle. Properly trained technicians have the equipment, tools, safety instructions, and know-how to do the job correctly and safely. If a condition is described, DO NOT assume that this Service Bulletin applies to your vehicle, or that your vehicle will have that condition.

SUBARU OF AMERICA, INC. IS ISO 14001 COMPLIANT

ISO 14001 is the international standard for excellence in Environmental Management Systems. Please recycle or dispose of automotive products in a manner that is friendly to our environment and in accordance with all local, state and federal laws and regulations.

SERVICE PROCEDURE / INFORMATION

Once the sound has been verified, attach a chassis ear to the toe board / bulkhead in the location circled in the illustration below then operate the clutch pedal.



If the sound is confirmed to be originating from that location, use a small flat-blade screw driver to prevent movement of the upper layer while slightly separating it from the lower layer of the bracket as shown in the photo below. Operate the clutch pedal again and with the chassis ear in the same position as before, determine if the sound is changed or reduced while the screw driver is in place.



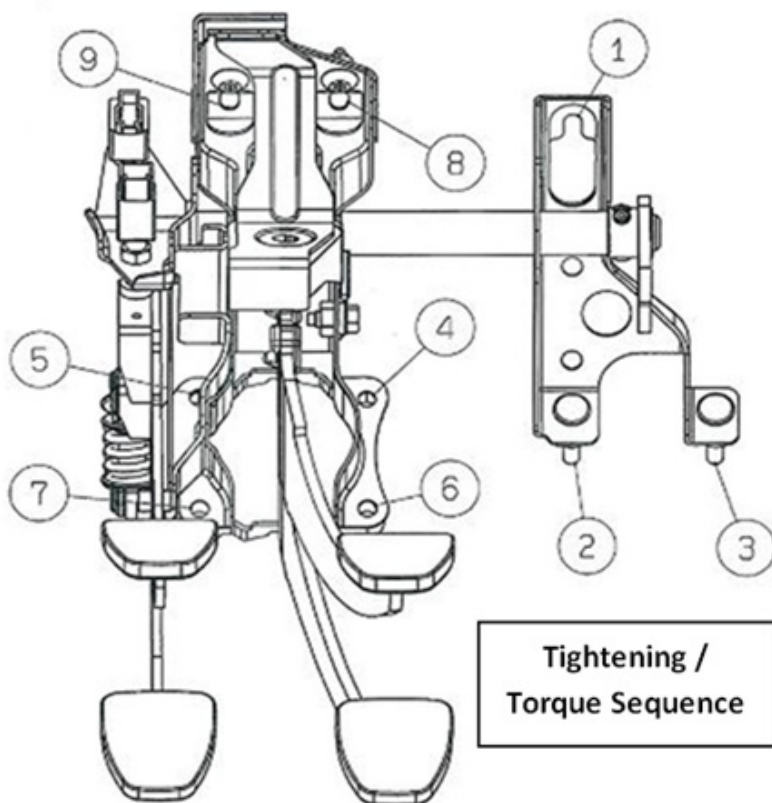
- If the sound is unchanged with the screw driver in place, the source is likely to be located elsewhere.
- If the sound is eliminated or changed with the screw driver in place, order the applicable replacement pedal assembly from the parts table provided above.

Follow the procedure in the applicable Service Manual for replacing the pedal assembly including the following critical points, some of which vary from existing procedures.

Continued...

IMPORTANT:

- Hand-tighten the 9 fasteners securing the pedal assembly to the toe board then final torque to 23 Nm (17 ft. lbs) following the sequence shown below.
- **ALWAYS** use new clevis pins when attaching the brake pedal apply rod and the clutch pedal push rod.
- After the installation is complete, **ALWAYS** confirm both clutch switches and the stop light switch are properly adjusted following the procedures in the applicable Service Manual.
- Confirm the sound has been eliminated and the brake lights operate normally before releasing the vehicle.



WARRANTY / CLAIM INFORMATION

For vehicles within the Basic New Car Limited Warranty period or covered by a Subaru Added Security Gold plan, this repair may be submitted using the following claim information:

LABOR DESCRIPTION	VEHICLE MODEL	LABOR OPERATION #	FAIL CODE	LABOR TIME
CLUTCH PEDAL ASSEMBLY CREAKING SOUND REPAIR	WRX AND STI	A316-171	SAW-25	1.6
	BRZ			1.2

REMINDER: SOA strongly discourages the printing and/or local storage of service information as previously released information and electronic publications may be updated at any time.

Always refer to STIS for the latest service information before performing any repairs.