

© 2012 Mazda Motor of America, Inc.

| | |
|--|--------------------------------|
| Subject: DRIVER SEAT RATTLE NOISE WHEN STOPPING OR STARTING THE VEHICLE | Bulletin No: 09-043/12 |
| | Last Issued: 11/16/2012 |

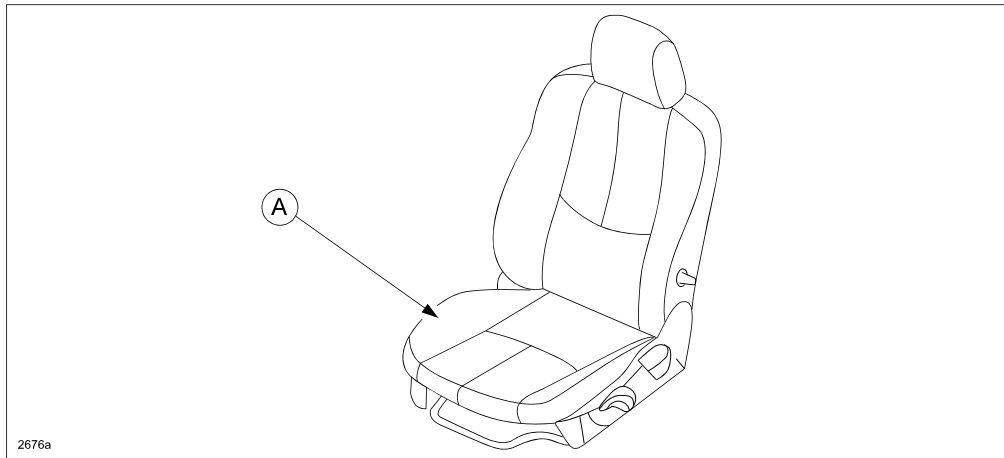
APPLICABLE MODEL(S)/VINS

2011-2013 Mazda2 (with manual seat lifter)

2004-2009 Mazda3 (with manual seat lifter)

DESCRIPTION

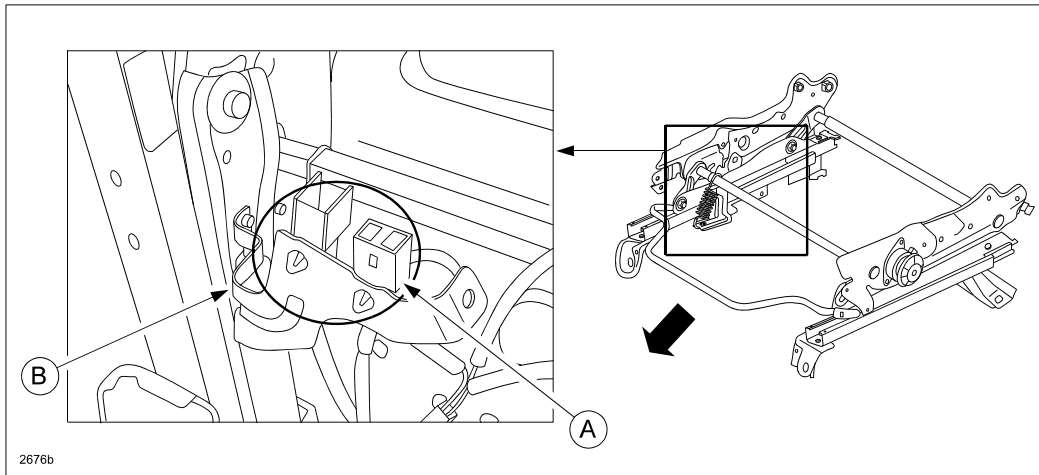
Some customer's may complain about a rattle noise in the driver's seat (A) when stopping or starting the vehicle. This rattle noise is caused by a gap between the seat frame and the link bracket. To correct the problem, a bracket and seat spring are attached to the inner and outer seat frames.



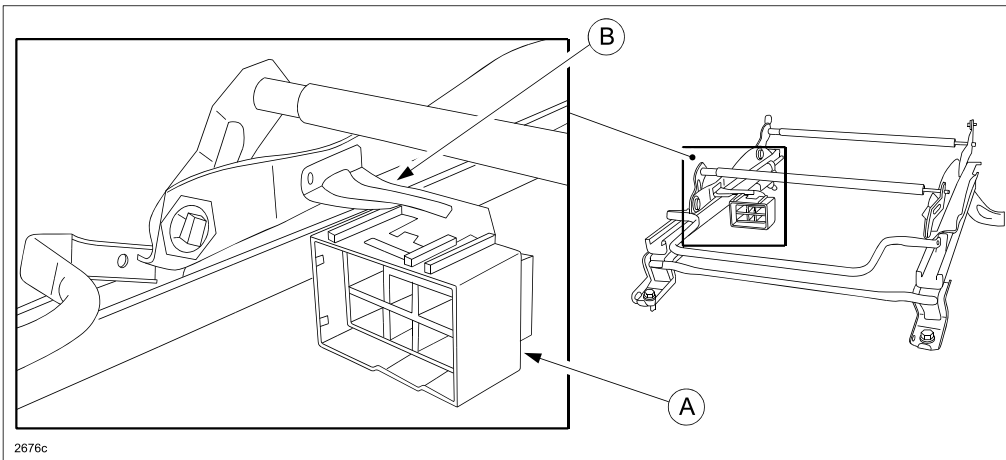
Customers having this concern should have their vehicle repaired using the following repair procedure.

REPAIR PROCEDURE

1. Verify customer concern.
2. Remove the driver's seat. Refer to MS3 online instructions or Workshop Manual section 09-13 FRONT SEAT REMOVAL/INSTALLATION.
3. Remove the connector(s) (A) from the original bracket (B).
Mazda2:

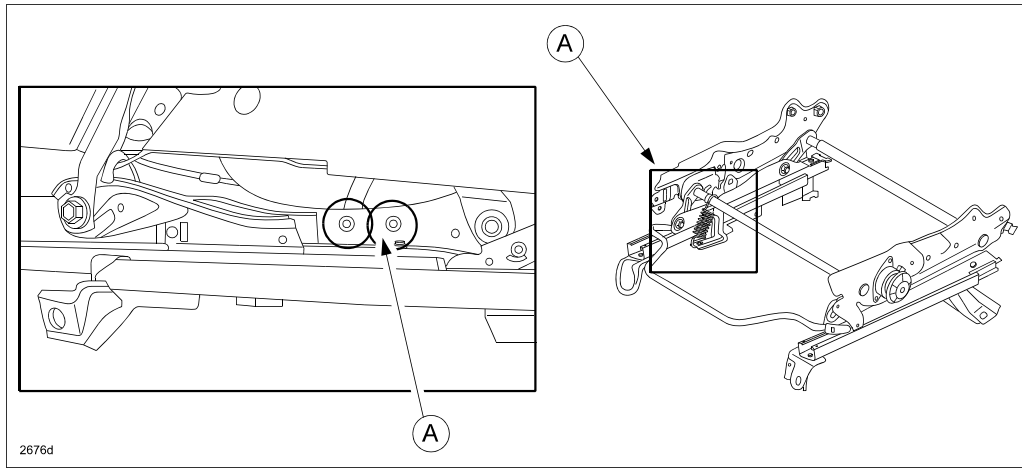


Mazda3:



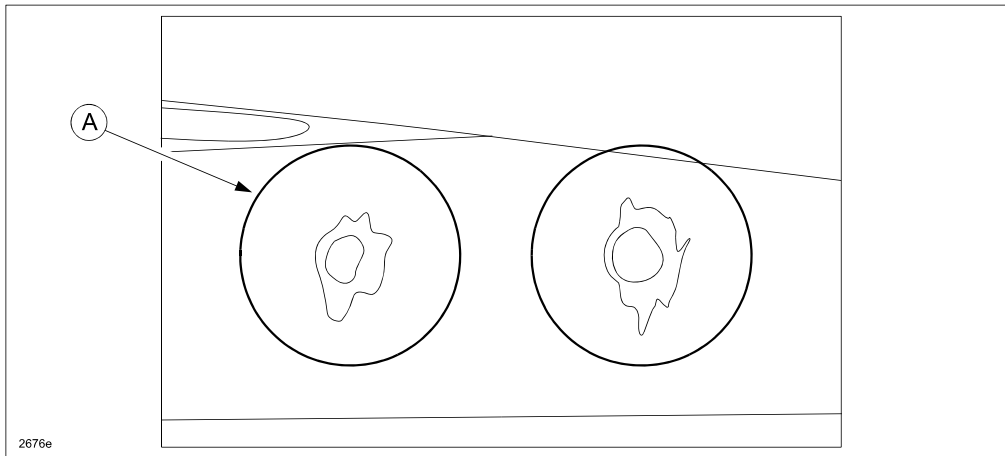
4. Remove the current original bracket from the seat frame.

NOTE: Remove the rivot by drilling the head of the rivot (A) off.

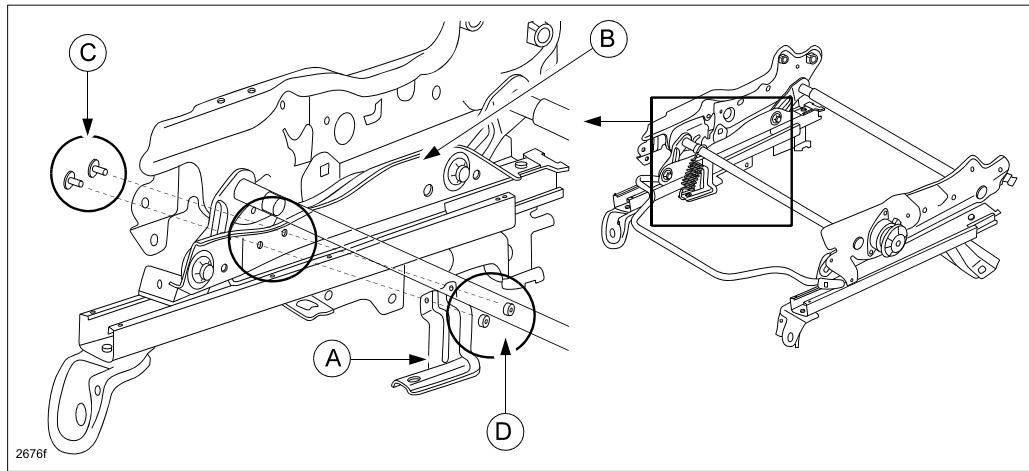


- For Mazda2, the original bracket is NOT re-used.
- For Mazda3, the original bracket is re-used.

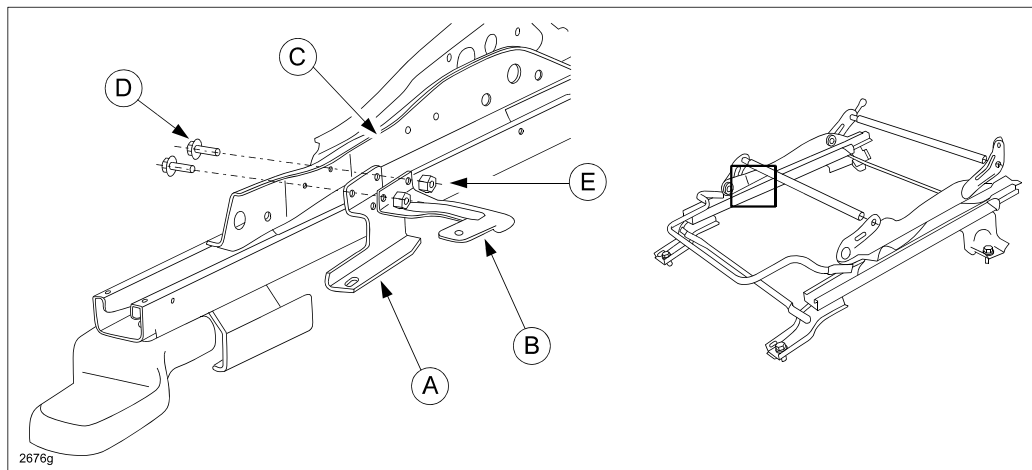
NOTE: Apply paint to the scratched area (A) of the seat frame where the paint is peeling off.



5. Mazda2: Attached the spring bracket (A) to the seat frame (B) with the two screws (C) and nuts (D).



- Mazda3: Attach the spring bracket (A) and the original bracket (B) together to the seat frame (C) with the two screws (D) and nuts (E) as shown.

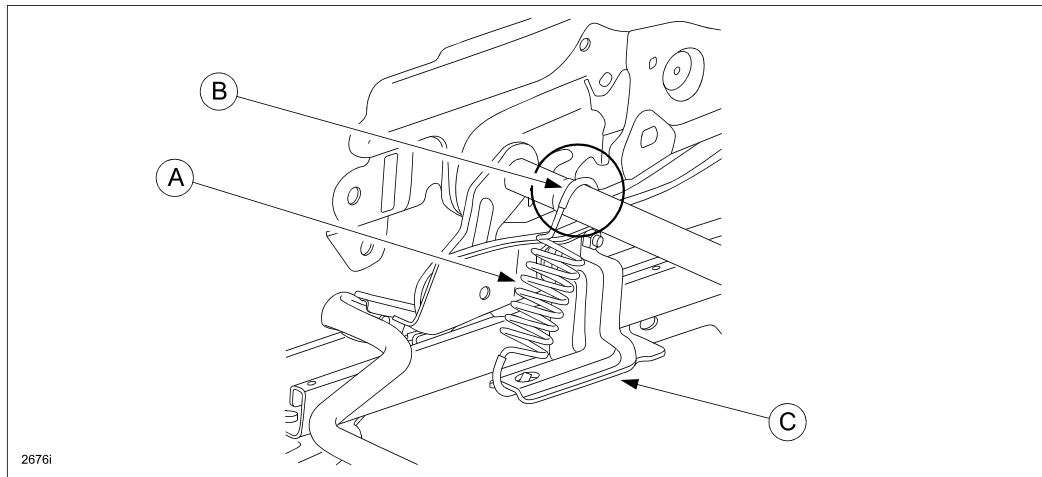


6. Move the lifter down to the lowest position.

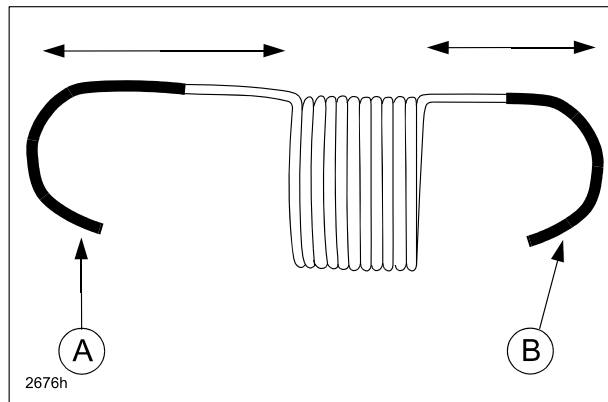
7. Install a spring between the spring bracket and the seat stabilizer.

NOTE:

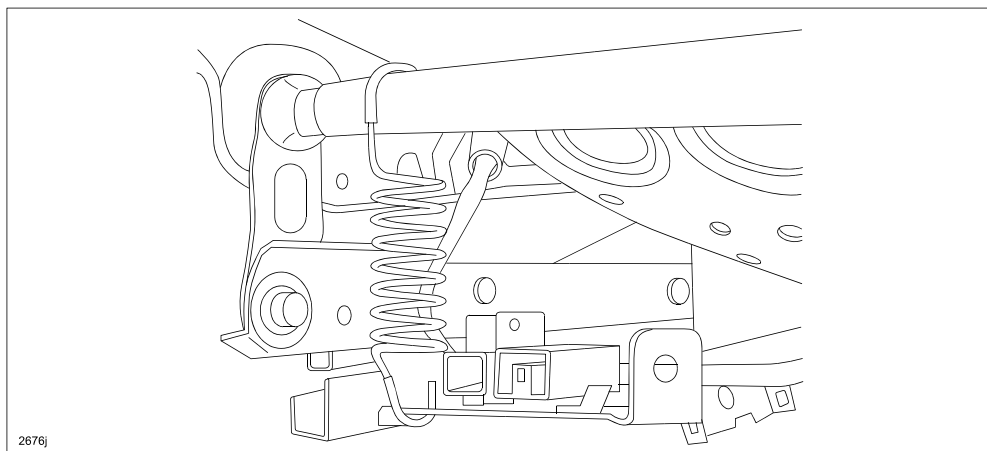
- Hook the spring (A) onto the seat stabilizer first (B), then onto the spring bracket (C).



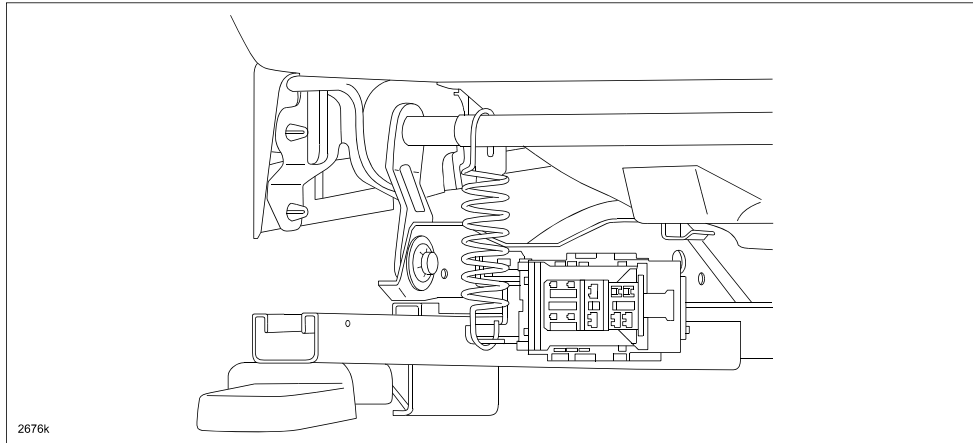
- Make sure to mount the spring in the right direction with the larger radius (A) on the stabilizer side and the smaller radius (B) on the bracket side.



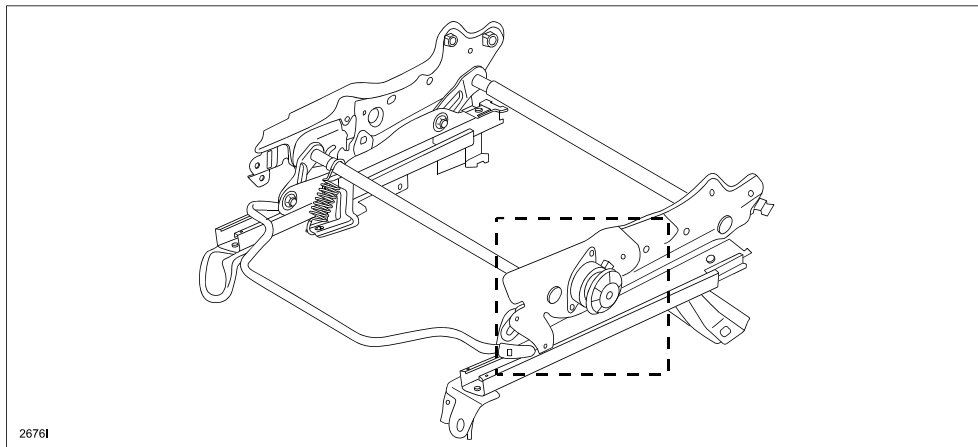
Mazda2:



Mazda3:



8. Install the new spring bracket and spring to the outer side seat frame the same way as the inner side frame.



9. Install the seat in the vehicle.

NOTE: The lifter position should be in the most downward position before installation of the seat in the vehicle.

10. Verify repair.

PART(S) INFORMATION

Mazda2

| Part Number | Includes | Description | Qty. | Notes |
|-------------|--------------|----------------|------|----------------------------|
| GATT-88-001 | GAY1-88-601 | Spring | 2 | Both sides |
| | GAY1-88-C50 | Spring bracket | 1 | For inner side seat frame. |
| | 9990-60-500 | Nut | 2 | |
| | 9983-00-510 | Screw | 2 | |
| | D0YT-88-C50 | Spring bracket | 1 | For outer side seat frame. |
| | 9994-00-400 | Nut | 2 | |
| | 9983-40-412B | Screw | 2 | |

Mazda3

| Part Number | Includes | Description | Qty. | Notes |
|-------------|-------------|----------------|------|----------------------------|
| BGTT-88-001 | BGY4-88-601 | Spring | 2 | Both sides |
| | BGY4-88-685 | Spring bracket | 1 | For inner side seat frame. |
| | 9990-60-500 | Nut | 2 | |
| | 9974-00-516 | Screw | 2 | |
| | BGY4-88-686 | Spring bracket | 1 | For outer side seat frame. |
| | 9994-00-400 | Nut | 2 | |
| | 9974-00-412 | Screw | 2 | |

WARRANTY INFORMATION

NOTE:

- This warranty information applies only to verified customer complaints on vehicles eligible for warranty repair.
- This repair will be covered under Mazda's New Vehicle Limited Warranty term.
- Additional diagnostic time cannot be claimed for this repair.

| | Mazda2 | Mazda3 |
|---------------------------------|---------------------|---------------------|
| Warranty Type | A | A |
| Symptom Code | 82 | 82 |
| Damage Code | 97 | 97 |
| Part Number Main Cause | GAY1-88-C50 | BGY4-88-685 |
| Quantity | 1 | 1 |
| Operation Number / Labor Hours: | XXH3LXRX / 0.5 Hrs. | XXH75XRX / 0.5 Hrs. |