

Subject: SPECIAL SERVICE TOOL SHIPMENT - APRIL 2014	Bulletin No: 00-001/14
	Last Issued: 04/08/2014

APPLICABLE MODEL(S)/VINS

2007-14 Mazda CX-9 AWD

DESCRIPTION/PRICING

In support of the 2007-14 CX-9, Mazda will ship to all dealers one (1) new Special Service Tool (SST). The SST will be shipped automatically by Mazda's tool vendor Snap-On Tools during the month of April 2014, and completing in May 2014.

The initial shipment in April will be made to a limited number of dealers with a higher than average rate of repairs, with all remaining dealers receiving the SST in May 2014.

The following SST is the latest addition to the Mazda Required Tool (MRT) list.

Part Number	Description	Pricing
49S0-34-205	Support Block	\$65

BILLING INFORMATION

Tool(s) will be automatically invoiced to your dealer parts account statement. If your accounting department has any questions regarding this invoicing, please call Mazda Special Service Tools (949-442-6539).

SHIPPING INFORMATION

Tools will be shipped via UPS Ground to your service department in April or May 2014.

Please advise your shipping/receiving personnel of this tool shipment.

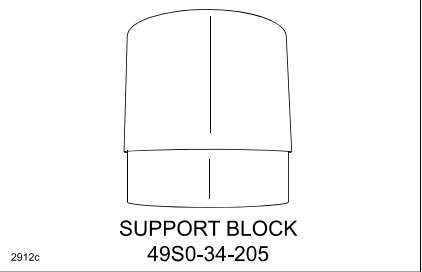
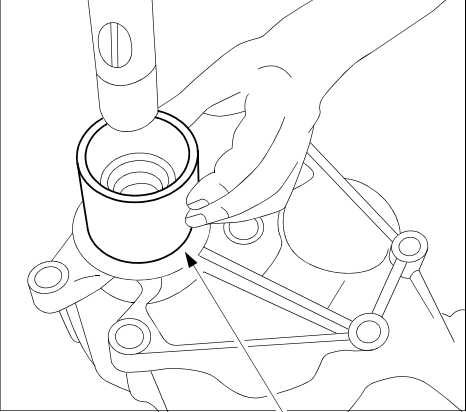
OBTAINING ADDITIONAL TOOLS

To order additional SSTs, submit orders via MStore at <http://dealers.mazdausa.com>.

CUSTOMER SERVICE INFORMATION

For warranty or product information call Snap-On Customer Service at (800) 424-7226.

SPECIAL SERVICE TOOL (SST) AND USAGE

<p>PART NUMBER / NAME: 49S0-34-205 Support Block</p> <p>APPLICABLE MODELS: 2007-14 CX-9 AWD</p> <p>USAGE: To install the replacement seal for the LH input shaft of the PTO/ Transfer Case.</p>	<p>OVERVIEW</p>  <p>SUPPORT BLOCK 49S0-34-205</p>	<p>USAGE</p> <p>Utilized with the Transfer Case Oil Seal Replacement Procedure in the Workshop Manual - Driveline/Axle Section.</p>  <p>SUPPORT BLOCK 49S0-34-205</p>
--	---	--