



© 2015 Mazda Motor of America, Inc.

<b>Subject:</b>  FUEL TANK IS DIFFICULT TO FILL	<b>Bulletin No:</b> 01-013/15
	<b>Last Issued:</b> 07/14/2015

## APPLICABLE MODEL(S)/VINS

2010-13 Mazda3 (including Mazdaspeed3)

2012-15 Mazda5 vehicles with VINs lower than JM1CW\*\*\*\*\*176622 (produced before June 2, 2014)

## DESCRIPTION

Some customers may complain that the fuel tank is difficult to fill up. This concern may be caused by improper operation of the non-return valve in the fuel tank (temporarily stuck open). The production process of the fuel tank has been improved to eliminate this concern.

Customers having this concern should have their vehicle repaired using the following repair procedure.

## REPAIR PROCEDURE

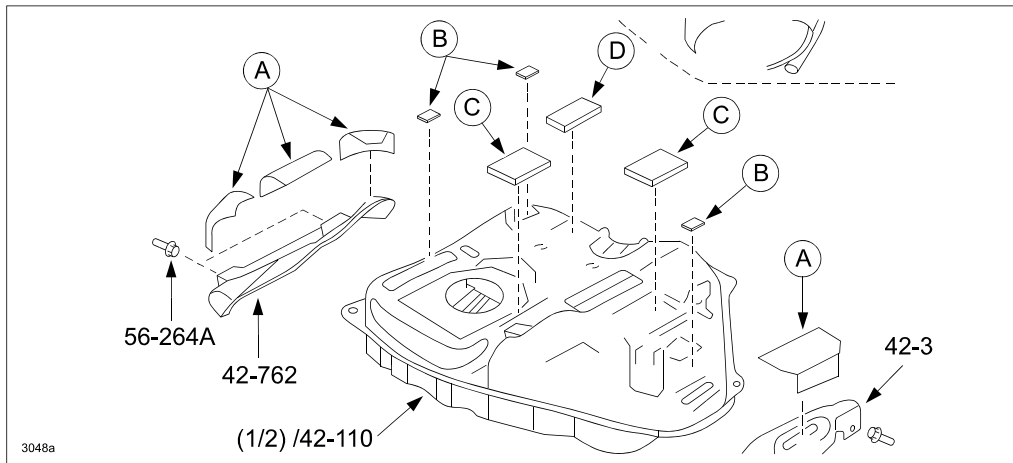
1. Verify that there are no restrictions of evaporative emission system hoses.
  - If there is a restriction, this Service Information is not applicable.
  - If there is no restriction, go to next step.
2. Replace the fuel tank with a modified one. Refer to MS3 online instructions or Workshop Manual section 01-14.
  - For Mazda3: FUEL TANK REMOVAL/INSTALLATION.
  - For Mazdaspeed3: FUEL TANK REMOVAL/INSTALLATION.
  - For Mazda5: FUEL TANK REMOVAL/INSTALLATION.
3. Verify repair by filling the fuel tank and making sure that the fuel pump nozzle shuts off automatically when tank is full.

**CONSUMER NOTICE:** The information and instructions in this bulletin are intended for use by skilled technicians. Mazda technicians utilize the proper tools/equipment and take training to correctly and safely maintain Mazda vehicles. These instructions should not be performed by "do-it-yourselfers." Customers should not assume this bulletin applies to their vehicle or that their vehicle will develop the described concern. To determine if the information applies, customers should contact their nearest authorized Mazda dealership. Mazda North American Operations reserves the right to alter the specifications and contents of this bulletin without obligation or advance notice. All rights reserved. No part of this bulletin may be reproduced in any form or by any means, electronic or mechanical---including photocopying and recording and the use of any kind of information storage and retrieval system ---without permission in writing.

**PART(S) INFORMATION**

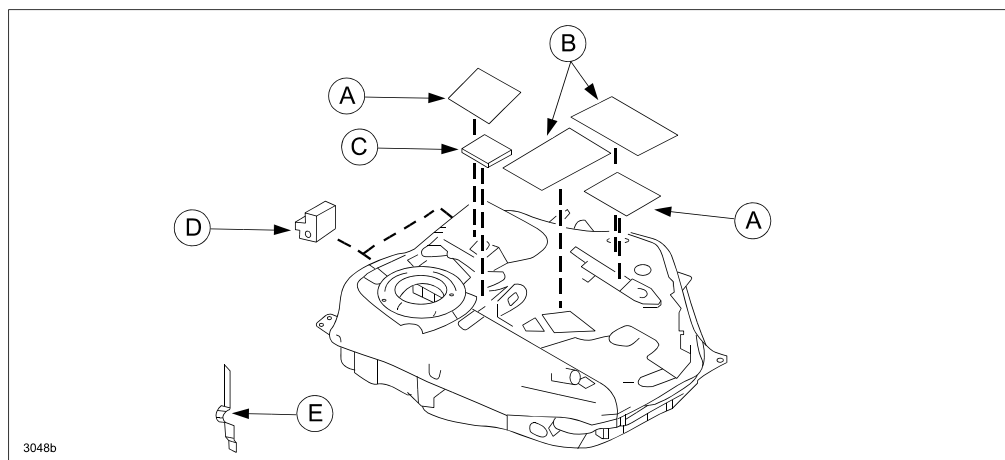
Mazda5

Part Number	Description	Qty.	Notes
CG36-42-110C	Fuel Tank	1	Replace part
GN3A-42-166	Gasket, Fuel Pump	1	
LF07-40-305A	Gasket, Main Silencer Front	1	
Z501-40-581A	Seal Ring, Main Silencer Rear	1	
GJ6A-42-763	Pad ("A" in Figure)	4	
C235-42-761	Pad ("B" in Figure)	3	
BP4K-42-761	Pad ("C" in Figure)	2	
FD01-42-761	Pad ("D" in Figure)	1	



Mazda3

Part Number	Description	Qty.	Applicable Engine				Notes
			SKY- ACTIV 2.0L	MZR 2.0L	MZR 2.3T	MZR 2.5L	
BFD1-42-110F	Fuel Tank	1	X				
BBM2-42-110G	Fuel Tank	1		X			
BBM7-42-110H	Fuel Tank	1			X	X	
BBM2-42-166A	Gasket, Fuel Pump	1	X	X	X	X	Replace part
L315-40-581	Seal Ring, TWC Front Side	4			X		
LF07-40-305A	Gasket, TWC Front Side	3	X	X		X	
PE23-40-305	Gasket, TWC Rear Side	2	X	X	X	X	
9994-61-000	Nut, TWC Rear Side	1	X	X	X	X	
BP4K-42-761	Pad ("A" in Figure)	1	X	X	X	X	
LC62-42-761A	Pad ("B" in Figure)	1	X	X	X	X	
B455-42-761	Pad ("C" in Figure)	1	X	X	X	X	
BFD1-42-763	Pad ("D" in Figure)	1	X				
BBM2-42-763B	Pad ("D" in Figure)	1		X	X	X	
BBM2-42-755A	Tape ("E" in Figure)	1	X	X	X	X	



## WARRANTY INFORMATION

**NOTE:**

- This warranty information applies only to verified customer complaints on vehicles eligible for warranty repair.
- This repair will be covered under Mazda's Federal Emission Warranty (long term) or CA PZEV Emission Warranty where applicable.
- Additional diagnostic time cannot be claimed for this repair.

To recover the cost of the fuel used to fill the tank:

**NOTE:**

- Add a sublet to the repair claim for cost of the fuel.
- Sublet Type Code use "Z9" – Locally Procured Part.
- Sublet Description enter "Fuel".
- Attach a copy of the fuel purchase receipt using Attachment ID = D14, in accordance with sublet policy.

Warranty Type	A
Symptom Code	64 (improper Operation)
Damage Code	9B (Deformed)
Part Number Main Cause	****-42-110* (Enter an applicable part number for "Fuel Tank")
Qty.	1
Operation Number:	XXL48XRX
Labor Hours:	1.8 Hrs. (Mazda3) 2.4 Hrs. (Mazda5)