

<b>Subject:</b>  FUEL FILLER LID DOES NOT OPEN OR CLOSE	<b>Bulletin No:</b> 09-029/15
	<b>Last Issued:</b> 08/04/2015

## APPLICABLE MODEL(S)/VINS

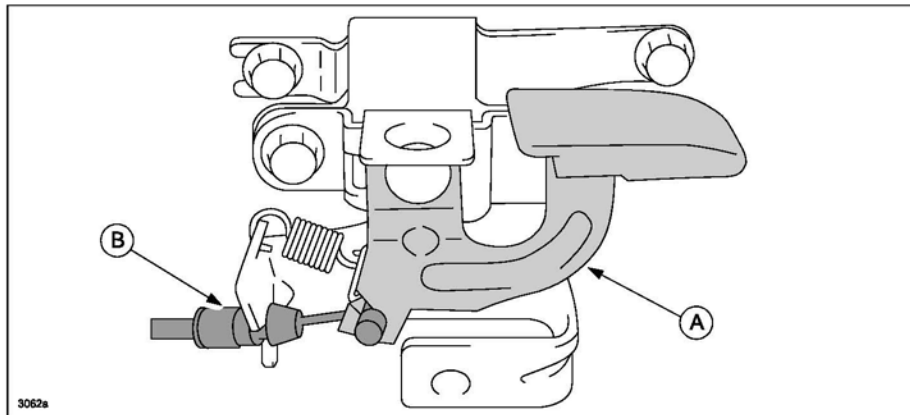
2011-14 Mazda2

2012-15 Mazda5 vehicles with VINs lower than JM1CW\*\*\*\*\*191244 (produced before June 2, 2015)

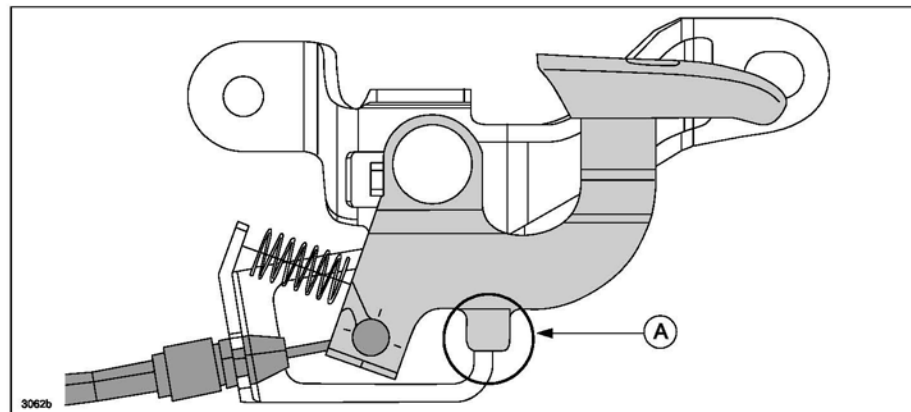
2013-16 CX-5 vehicles with VINs lower than JM3KE\*\*\*\*\*668045 (produced before May 20, 2015)

## DESCRIPTION

On some vehicles, the fuel filler lid will not open/close. This may be caused by snow with road salt being brought into the footwell area. The melted salt water then flows along the opener lever (A) and enters into the cable (B) causing the inner-cable to corrode and seize.



To correct the problem, a flange has been added to the fuel filler lid opener lever (A) to prevent water from flowing along the lever to the fuel filler lid cable.



Customers having this concern should have their vehicle repaired using the following repair procedure.

## REPAIR PROCEDURE

1. Verify customer complaint.
2. Replace the fuel-filler lid opener and fuel-filler lid opener cable with modified ones. Refer to MS3 online instructions or Workshop Manual section 09-10.
3. Verify repair.

## PART(S) INFORMATION

Part Number	Description	Qty.	Notes
KD53-56-860A	Fuel-filler Lid Opener Lever	1	CX-5
CC29-56-860A		1	Mazda2, Mazda5
KD53-56-880	Fuel-filler Lid Opener Cable	1	CX-5
DF71-56-880		1	Mazda2
CC29-56-880A		1	Mazda5

## WARRANTY INFORMATION

### NOTE:

- This warranty information applies only to verified customer complaints on vehicles eligible for warranty repair.
- This repair will be covered under Mazda's New Vehicle Warranty.
- Additional diagnostic time cannot be claimed for this repair.

Warranty Type	A	
Symptom Code	41	
Damage Code	9Y	
Part Number Main Cause	CC29-56-860A (Mazda2/Mazda5)	KD53-56-860A (CX-5)
Qty.	1	
Operation Number:	XXL4EARX	XXL4EBRX
Labor Hours:	1.0 Hrs. (Mazda2) 1.1 Hrs. (Mazda5) 0.8 Hrs (CX-5 with separate type rear seat cushion)	0.9 Hrs. (CX-5 without separate type rear seat cushion)