

TECHNICAL BULLETIN  
LTB00836NAS3  
21 JUN 2016



© Jaguar Land Rover North America, LLC

NOTE: The information in Technical Bulletins is intended for use by trained, professional Technicians with the knowledge, tools, and equipment required to do the job properly and safely. It informs these Technicians of conditions that may occur on some vehicles, or provides information that could assist in proper vehicle service. The procedures should not be performed by 'do-it-yourselfers'. If you are not a Retailer, do not assume that a condition described affects your vehicle. Contact an authorized Land Rover service facility to determine whether this bulletin applies to a specific vehicle.

**This reissue replaces all previous versions. Please destroy all previous versions.**

Changes are highlighted in gray

**SECTION: 501-05**

Tailgate Trim Panel Detached From Tailgate

**AFFECTED VEHICLE RANGE:**

**Discovery Sport (LC)**

**Model Year:** 2015 Onwards

**VIN:** 500429 Onwards

**Assembly Plant:** Halewood

MARKETS:

NAS

**CONDITION SUMMARY:**

**Situation:** The tailgate interior trim panel may become detached from the tailgate during closing.

**Cause:** This may be caused by the clips not being fully engaged during assembly.

**Action:** Should a customer express this concern, follow the Service Instruction below.

**PARTS:**

LR006101	Nylon clip	9
LR001790	Metal clip	3
LR052123	Nut insert	2

**WARRANTY:**

 **NOTE:** Repair procedures are under constant review, and therefore times are subject to change; those quoted here must be taken as guidance only. Always refer to TOPIX to obtain the latest repair time.

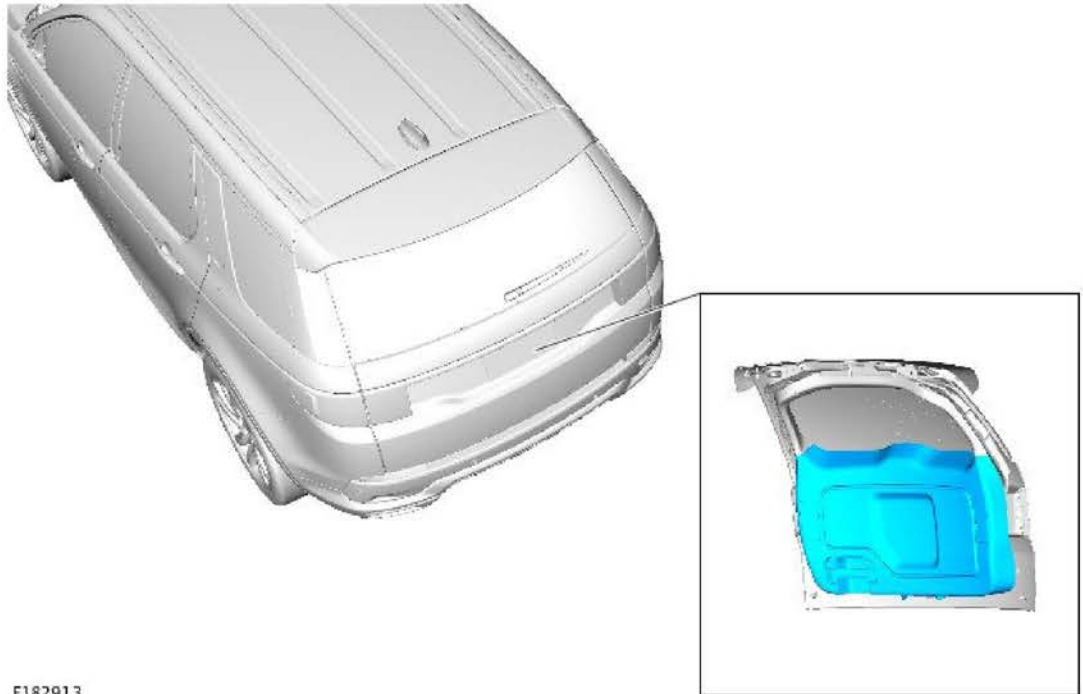
 **NOTE:** DDW requires the use of causal part numbers. Labor only claims must show the causal part number with a quantity of zero.

DESCRIPTION	SRO	TIME (HOURS)	CONDITION CODE	CAUSAL PART
Tailgate trim panel - Remove and install	76.34.04.99	0.3	24	LR075425

 **NOTE:** Normal Warranty procedures apply.

**SERVICE INSTRUCTION:**

1. Component location.



E182913

2. Remove the tailgate trim panel (see TOPIX Workshop Manual section 501-05: Interior Trim and Ornamentation).

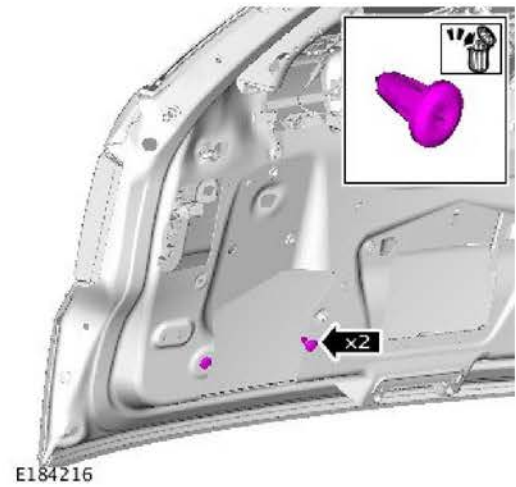
3.  **NOTE: The three tailgate clips must be centralized and pushed fully onto the tailgate.**

Install the three new tailgate trim panel clips to the tailgate.

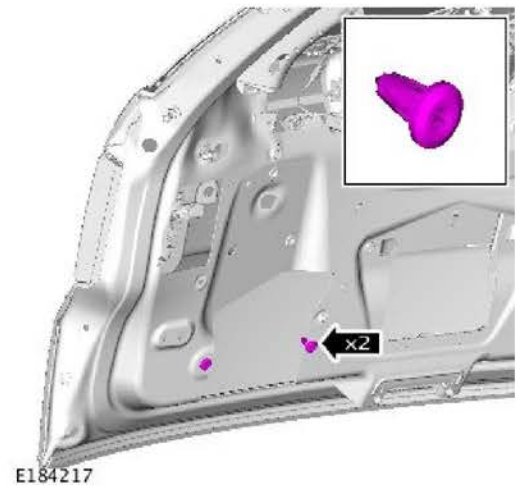


E182936

4. Remove and discard the two plastic nut inserts.



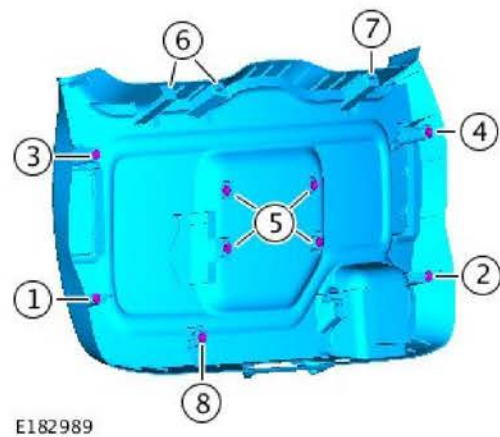
5. Install the two new plastic nut inserts.




6.  **NOTE: The tailgate trim panel clips must be installed into the tailgate in the order shown.**

Install the tailgate trim panel (see TOPIX Workshop Manual section 501-05: Interior Trim and Ornamentation).

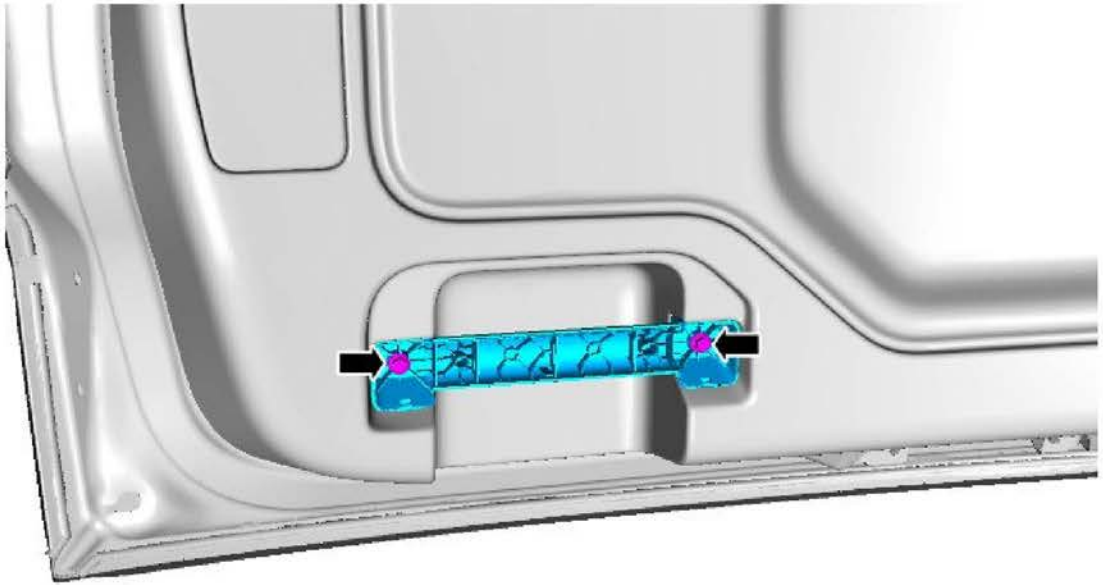
- Make sure the tailgate trim panel is installed correctly with no visible gaps around the edge.



7.  **NOTE: Make sure the correct screws are used on**

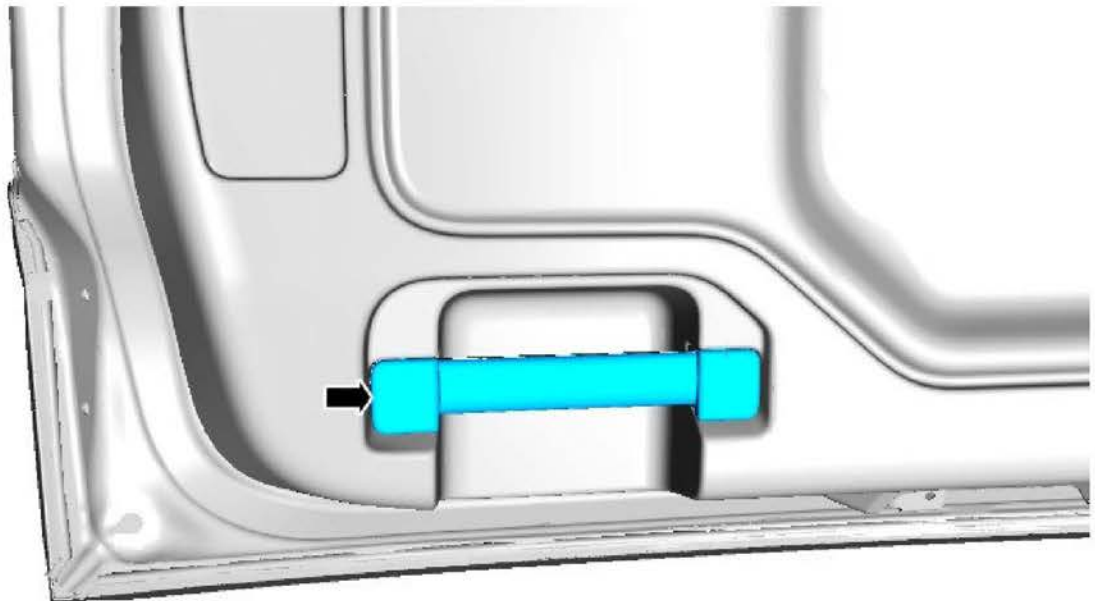
**installation  
of the  
tailgate  
grab  
handle.**

Install the  
tailgate grab  
handle.



E192608

**8.** Install the  
tailgate grab  
handle trim  
cover.



E192609